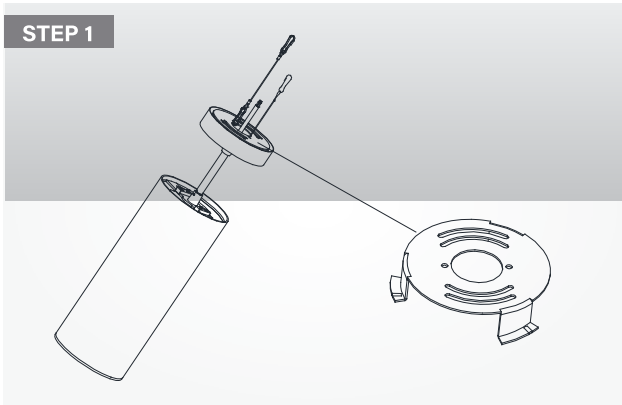
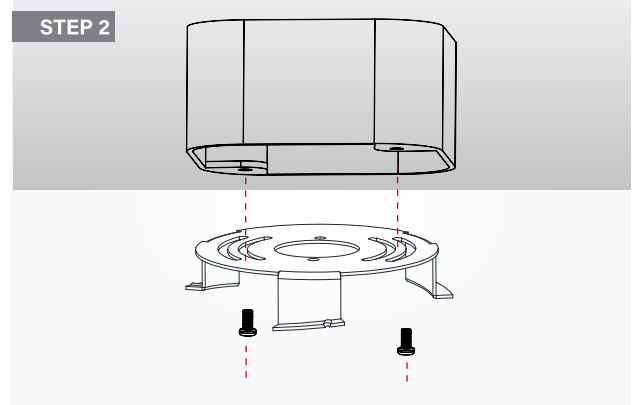


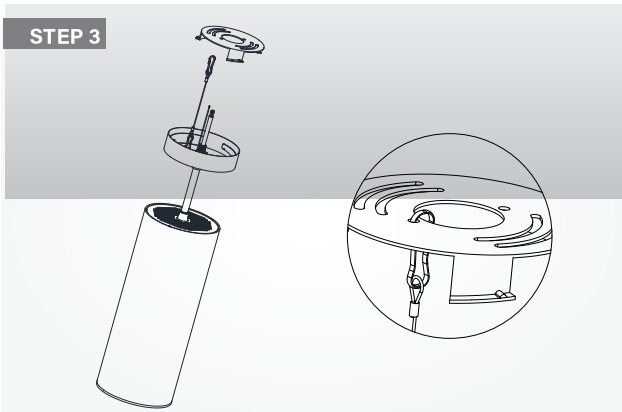
## Cylinder pendant light



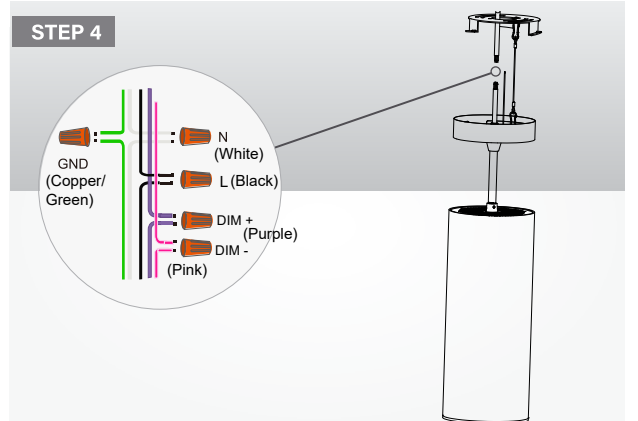
**STEP 1:** Remove and take out the bracket from the fixture;



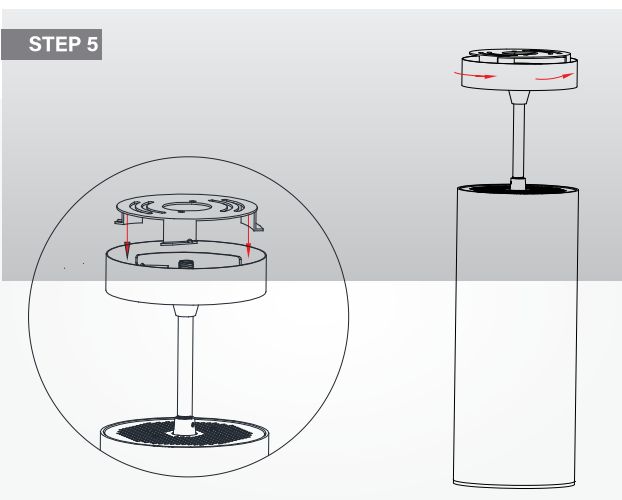
**STEP 2:** Attach bracket onto junction box with 2pcs # 8/32screws provided;



**STEP 3:** Hookup the safety steel wire on the bracket;



**STEP 4:** Make wire connections per diagram;



**STEP 5:** Pull the cable inside jbox, then hold up the fixture until bracket all inside the ceiling box ,then twist until it's locket into bracket.