

## With Integrated Dimmable Driver



Thank you for purchasing our product. This fixture has been manufactured from components with advanced optoelectronics to ensure high reliability and long life. Before assembling please read this Operation Manual carefully and save in a safe place for future reference. Please note that all electrical connections must be in accordance with local and National Electrical Code standards as well as local building codes. In case you are not familiar with proper wiring connections and building codes, consult a qualified electrician.

### Specifications:

LED Flush mount light

Operating Voltage: 120VAC

Dimming: Triac

CCT: 27/30/35/40/50K selectable RA:90

Power: 20W

### Dimming

This product is compatible with most residential type dimmers available on the market. The dimming performance will depend on kind of dimmer and dimmer settings.

### Cleaning

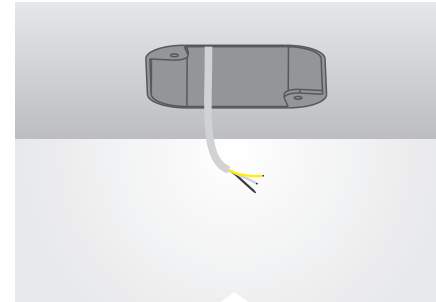
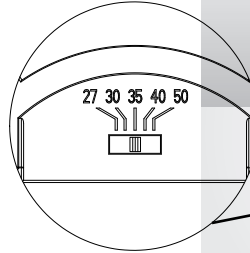
- Clean with a soft or damp cloth. While cleaning with the damp cloth make sure the power is off.
- Do not clean with abrasives.

### 5 Year limited warranty

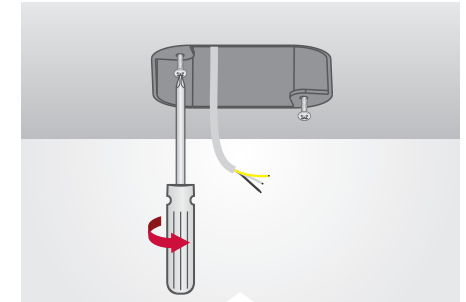
The purchased product is covered with a 5 year warranty in respect of any defect in material or workmanship after purchase date.



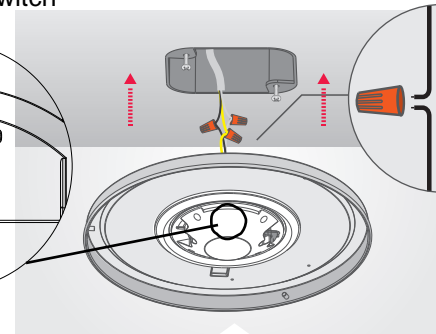
Select the CCT by switch  
27/30/35/40/50K



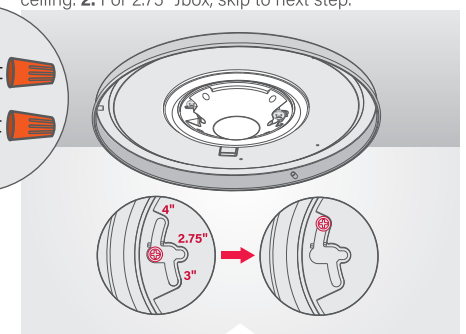
STEP 1: Turn-off / disconnect power at circuit breaker.



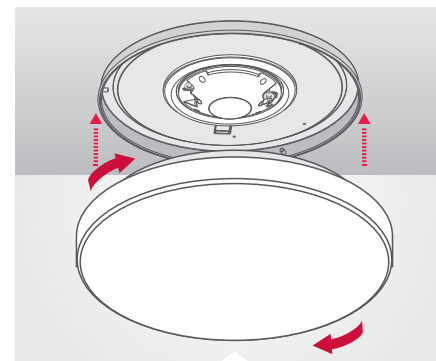
STEP 2: **1.** For 3" & 4" Jbox, install 2 long screws (provided) to Jbox leaving minimum 1/2" space to ceiling. **2.** For 2.75" Jbox, skip to next step.



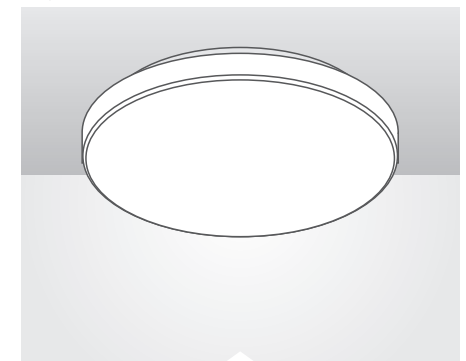
STEP 3: Make Ground connection. Attach black AC wire from fixture to black AC wire from Jbox. Connect white wire from fixture to white wire from Jbox.



STEP 4: **1.** For 3" & 4" Jbox, align the holes on the base of the fixture with the pre-installed screws from the Jbox using the proper slots as indicated in the above diagram. **2.** For 2.75" Jbox, install base of the fixture to the Jbox by attaching 2 screws (provided) as shown in the diagram.



STEP 5: Align puff lens with locking ramp to pins on side of base and twist until it locks into place.



STEP 6: Fixture installed.