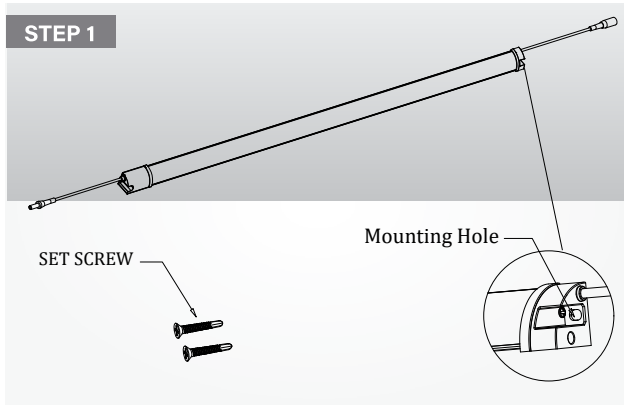
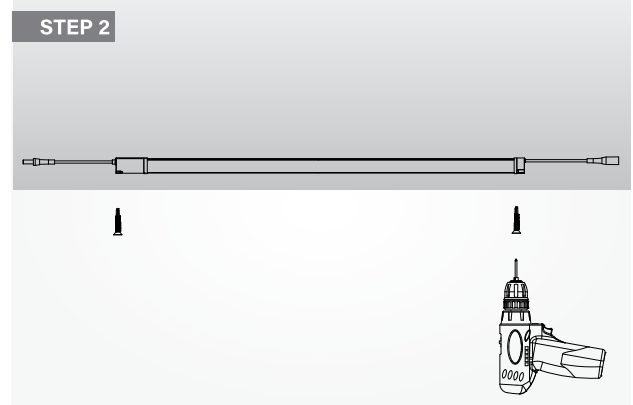


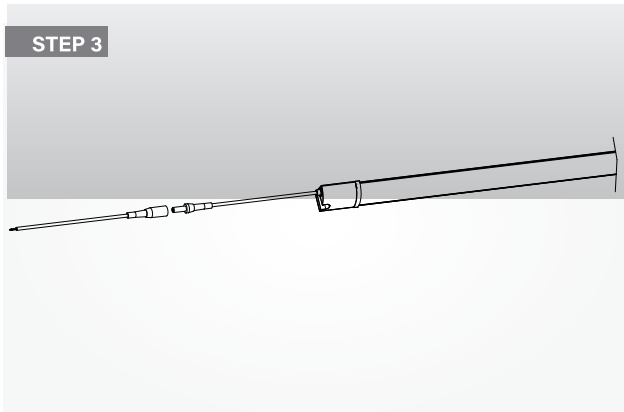
## 4ft Triangle Anti Glare under cabinetshelf light



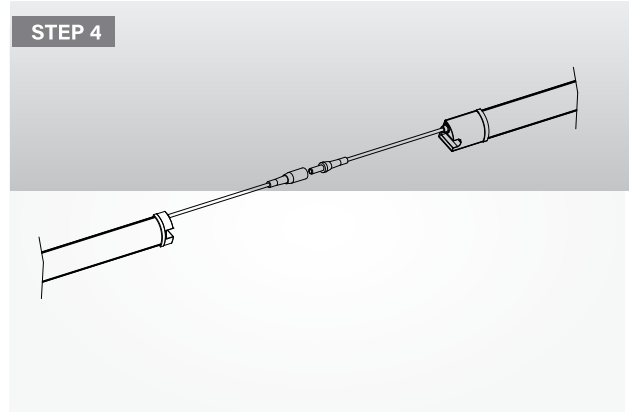
**STEP 1:** Take those two screw provided, then put the fixture onto the under shelf hold it in place;



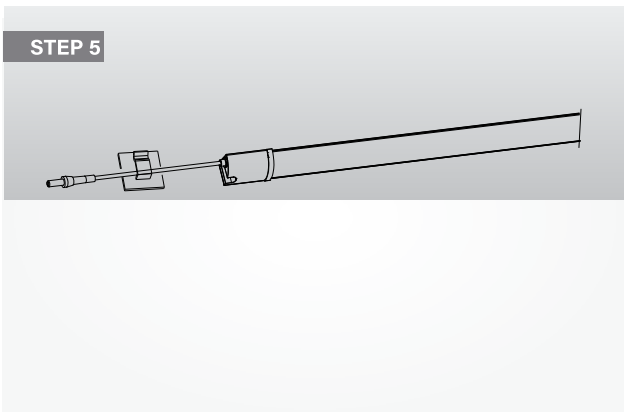
**STEP 2:** Then attach two screw though the two end cap hole onto the under shelf to hold the fixture;



**STEP 3:** Connect the AC input wire to the one side connector of the fixture



**STEP 4:** For linkable connect, just plug the female and male connector from each fixture;



**STEP 5:** Use the wire holder tape on the shelf to hold the wire if necessary;