

LDPRO LED PARKING LOT LIGHT

LUXAR
Lighting for Life



Product Description

LED Shoebox Light fixture has an extremely thin profile constructed of rugged cast aluminum. Designed to offer secure, energy efficient and virtually maintenance-free lighting solutions for new or retrofit projects for service stations. The Fuel Pump fixture can be flush mounted to any canopy with round or square cutout sizes between 2.5" and 13.5" wide

Applications: Parking lot, Tennis Court, Airport, Auto Dealership, Corporate & Office, Education, Government, Healthcare, Municipal, Pedestrian, Petroleum & Convenience Stores

Order Information

EXAMPLE: HR-SHB-B-XXW-50K-DI-480

Family	Watts	CCT	Finish	Optional Controls	Voltage
HR-SHB-B	60W 100W 150W 200W 300W	40K = 4000K Blank = 5000K 57K = 5700K	Blank = Black Br-Bronze	Blank = No Di = Dimmable PH = Photocell Sensor MS = Motion Sensor	Blank = 120-277V /347 = 347V /480 = 480V

Details



BENEFITS

- * Dia-casting design make sure good heat dissipation
- * 100W-1000W MH/HPS replacement
- * Modular, low-profile design
 - Swivel bracket/Slip Fitter/Square arm options
- * DLC Premium for 100-277V, 347V and 480V ac
- * Meanwell driver assure long life-span

FEATURES

- * Power efficiency more than 95%
- * Efficiency(lm/w): up to 150
- * Color Temperature(CCT): 4000K, 5000k, 5700k
- * Color Rendering Index(CRI): >70
- * Certification: UL/cUL and DLC Premium Listed
- * Photocell and motion sensor for choose
- * 0-10V dimming option
- * Working temperature(°F): -30°F to 130°F
- * Warranty 5 years, L70 Life 70,000hours

APPLICATIONS:

- * Parking lot, Tennis Court, Airport, Auto Dealership, Corporate & Office, Education Government, Healthcare, Municipal, Pedestrian, Petroleum & Convenience Stores, Recreation & Public Venues, Restaurants & Hospitality, Retail Grocery

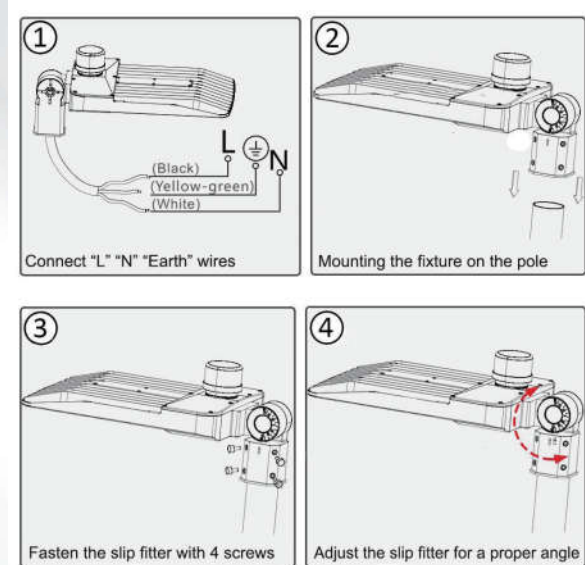
Parameter

Model No.	HR -SHB-B-XXW	HR -SHB-B-XXW	HR-SHB-B-XXW
Wattage	60W-150W	150W-200W	240W-300W
Efficacy	135LM/W	135LM/W	135LM/W
Output(LM)	8100~16200	20250~27000	32400~40500
Equivalent	80W-150W	180W-500W	500W-800W
LEDs Brand	Lumileds SMD 3030		
CCT	3000K, 4000K, 5000K (Normal), 5700K		
CRI	80+		
Beam Angle	T3, T4, T5		
Power Factor	>0.90		
Input	120-277Vac 50-60Hz		
Function	NEMA 3Pin/ NEMA 7Pin/ 0-10v Dimming		
Surge Protection	6KV, 10KV		
IP Rating	IP66		
Working Temp.	-30° C ~ 50° C (-22° F~122° F)		
Storage Temp.	-40° C ~ 70° C (-40° F~158° F)		
Finish	Bronze, Black		
Housing	Die-cast Aluminum		
Lens	PC		
Lifespan	>100,000 Hours		
Warranty	5 Years		
Certification	UL 1598		

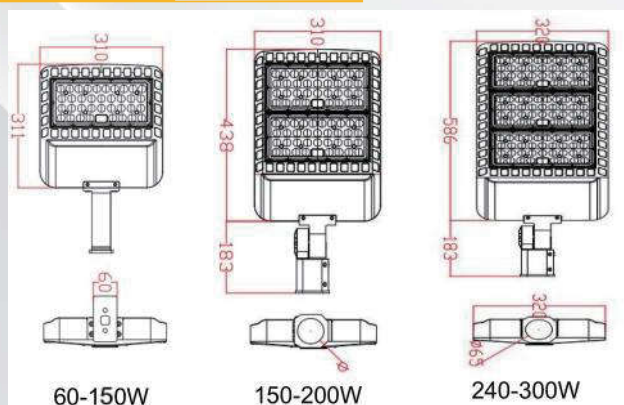
Accessory (Optional)



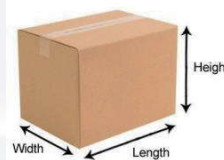
Installation



Packing



PACKAGE:



Watts	Weight
60-150w	6.5kg
150w-200w	8.0kg
200w-300w	9.2kg

60W-150W: L*W*H :57*37*14cm/pc
 150W-200W: L*W*H:57*37*14cm/pc
 200W-300W: L*W*H:72*40*14cm/pc