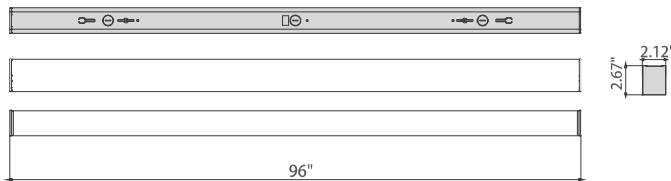




Seamless Connectable Linear



- Available Lengths: 4' and 8', Connectable up to 40'
- Width: 2.12"
- Height: 2.67"

SPECIFICATION

Input voltage	120-277V
Power (W)	Selectable Power (20/30/40)
Lumens (lm/ft)	1,150
Efficacy (lm/W)	115
CCT (K)	Selectable CCT (3000/4000/5000)
CRI	90
0-10V	ES
Energy Star	ES
DLC	ES
Mac Adam	5-Step
Surge	2KV
Ring Wave	2.5KV
Available Lengths	4' and 8' Connectable up to 40'

- Patent Pending
 - 3 in 1 mounting
 - Seamless silicone lens
 - Specialized tool for lens installation
 - Mechanical bracket for connecting longer runs

● Recommended for



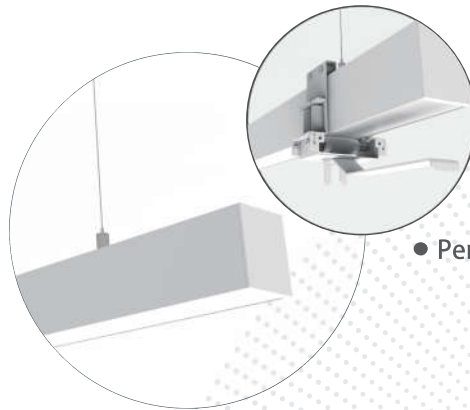
● Trim / Shade color

- White
- Black
- Aluminium

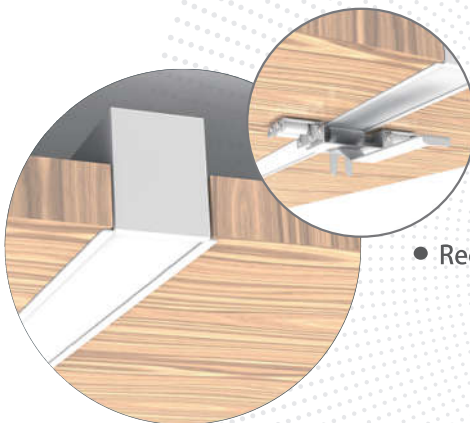
● Options

- Photo/Occupancy Sensor
- Emergency Battery Backup

Seamless Connectable Linear



• Pendant mounting



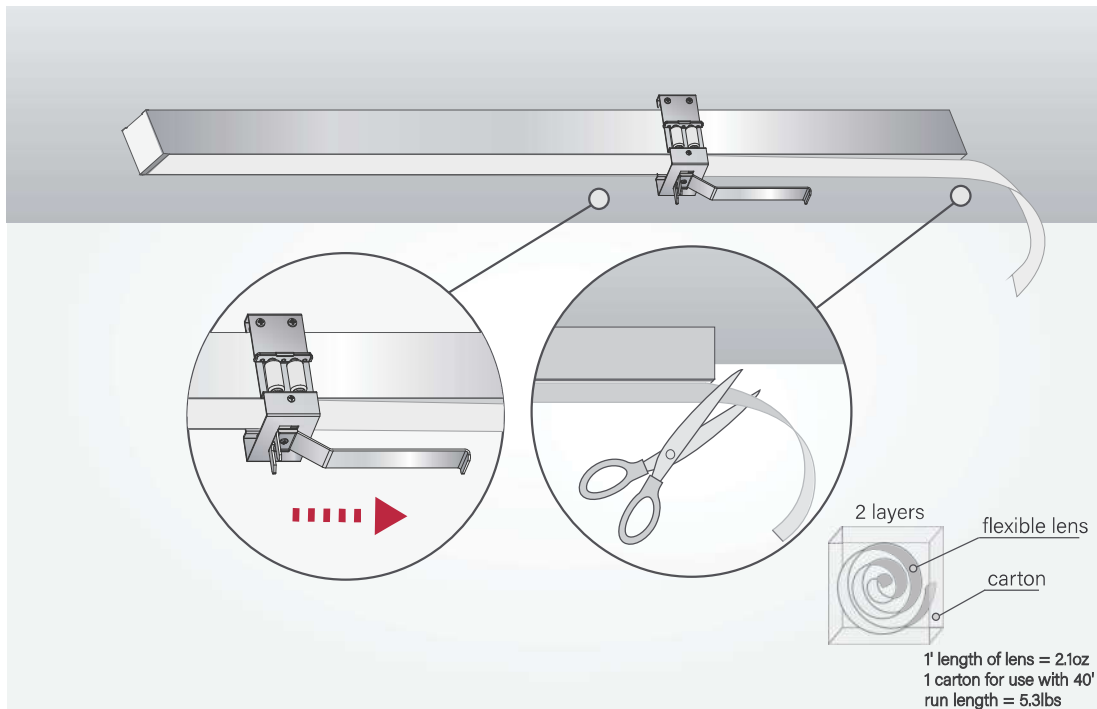
• Recess mounting



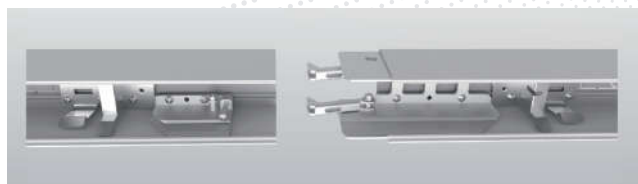
• Surface mounting



Seamless Connectable Linear



- Seamless silicone lens with custom installation tool (Patent Pending)



- Mechanical bracket system (Patent Pending)

- Photo/Occupancy sensor module with custom dial switches (Patent Pending)
- Optional remote control programming



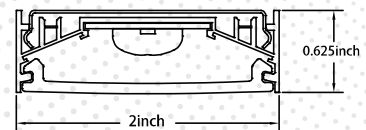
Seamless Linear Slim



- Housing Finish: White
- Housing Material: Aluminum
- Lens Material: Seamless silicone
- LED Integrated: Samsung LEDs
- Location Rating: Dry
- Available Lengths: 4' and 8', connectable up to 40'
- Available Widths: 2"
- Height: 0.625"



SPECIFICATION		
Model	Linear Slim	Linear Slim
Section Length	4ft	8ft
Voltage	120-277V 60Hz	120-277V 60Hz
Power	40W	80W
Lumen	4600	9200
Efficacy	115Lm/W	115Lm/W
Selectable CCT	2700/3000/4000/5000K	2700/3000/4000/5000K
CRI	90+	90+
Dimming	0~10V	0~10V
Angle	110°	110°
Installation Compatibility	Pendant	Pendant
Working Temperature	-20~45°C / -4~113°F	-20~45°C / -4~113°F

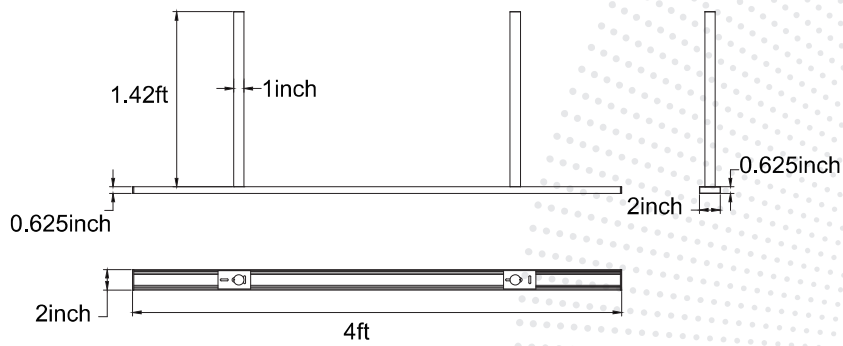


● 2" Linear Slim Profile

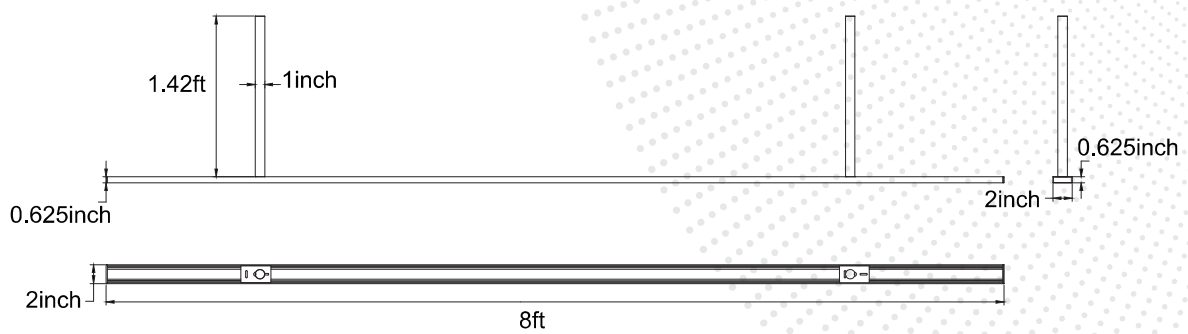
Seamless Linear Slim



■ 4ft



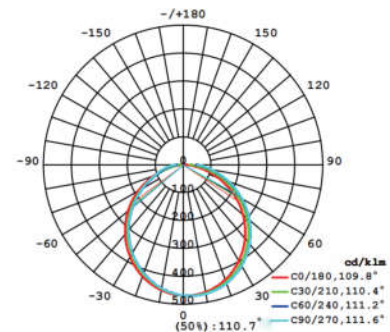
■ 8ft



Seamless Linear Slim

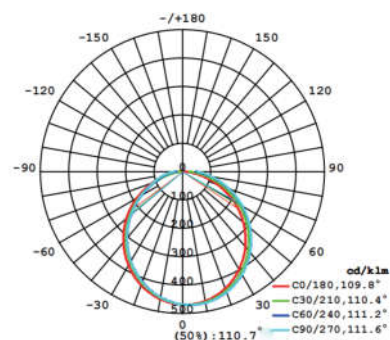
■ 4ft

Height	Average Lux(lx)	Light range(dia.)
1M	525.5	258.3cm
2M	131.4	516.6cm
3M	58.4	774.9cm
4M	32.8	1033.2cm
5M	21.0	1291.5cm



■ 8ft

Height	Average Lux(lx)	Light range(dia.)
1M	725.2	356.5cm
2M	181.3	713.0cm
3M	80.6	1069.4cm
4M	45.3	1425.8m
5M	29.0	1782.3cm



Seamless Linear Slope

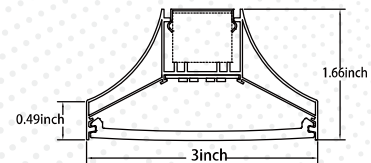


- Housing Finish: White
- Housing Material: Aluminum
- Lens Material: Seamless silicone
- LED Integrated: Samsung LEDs
- Location Rating: Dry
- Available Lengths: 4' and 8', connectable up to 40'
- Available Widths: 2", 2.5", and 3"
- Height: 1.66"



SPECIFICATION

Model	Linear Slope	Linear Slope
Section Length	4ft	8ft
Voltage	120-277V 60Hz	120-277V 60Hz
Power	40W	80W
Lumen	4600	9200
Efficacy	115Lm/W	115Lm/W
Selectable CCT	2700/3000/4000/5000K	2700/3000/4000/5000K
CRI	90+	90+
Dimming	0~10V	0~10V
Angle	110°	110°
Installation Compatibility	Pendant	Pendant
Working Temperature	-20~45°C / -4~113°F	-20~45°C / -4~113°F

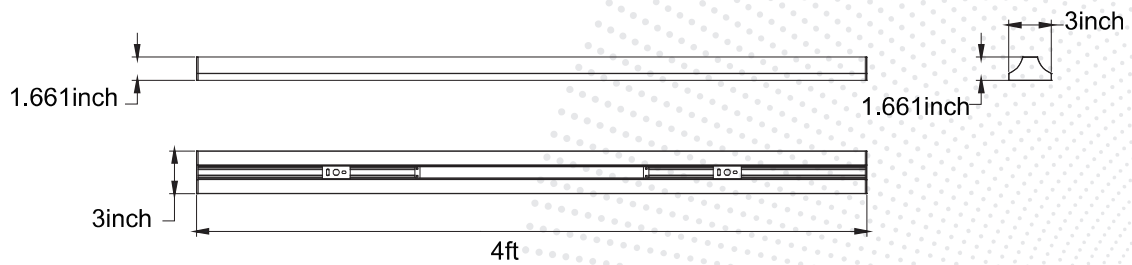


• 3" Linear Slope

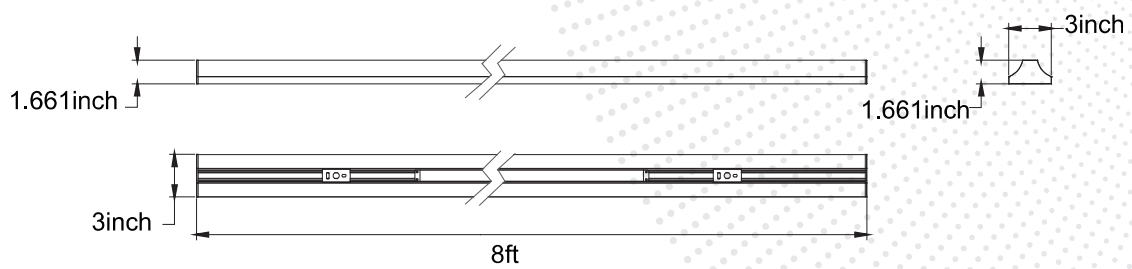
**Seamless
Linear Slope**



■ **4ft**



■ **8ft**

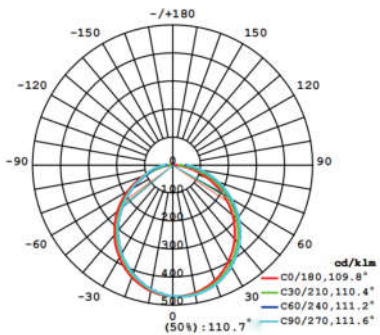


Seamless Linear Slope



■ 4ft

Height	Average Lux(lx)	Light range(dia.)
1M	525.5	258.3cm
2M	131.4	516.6cm
3M	58.4	774.9cm
4M	32.8	1033.2cm
5M	21.0	1291.5cm



■ 8ft

Height	Average Lux(lx)	Light range(dia.)
1M	725.2	356.5cm
2M	181.3	713.0cm
3M	80.6	1069.4cm
4M	45.3	1425.8cm
5M	29.0	1782.3cm

