

## TRADITIONAL FLUSH MOUNT ROUND CEILING LIGHT (14")



### SPECIFICATION

Product	Traditional Flush Mount Round Ceiling Light (14")
Size	14" x 3.6"
CCT	4000 K
Power	24 W
CRI	80
Lumen	1600
Efficacy	67
Dimming	Triac
Voltage	120 V

### SAFETY TIPS

- 1. RISK OF ELECTRIC SHOCK** - Before making electrical connections, disconnect the power at the circuit breaker or fuse. This product must be installed by electrical code standards to avoid risk and safety hazard.
- 2.** Read all Installation Instructions prior to installing the product.
- 3.** This product is intended for interior use only. Avoid direct contact with water.
- 4.** Improper installation may result in product failure, or cause injury or damage.
- 5.** Clean with a soft, damp cloth with power off.
- 6.** Keep out of reach of children.

Thank you for purchasing a Bakersmith LED product. All Bakersmith LED products have been manufactured according to the highest design and performance standards including UL, Energy Star, and LM 80. Before installing the product, please read through these Installation Instructions carefully. All electrical connections must adhere to local and national electrical code standards and local building codes. Please consult a qualified electrician, if you are not familiar with proper wiring connections and building codes.

### DIMMING

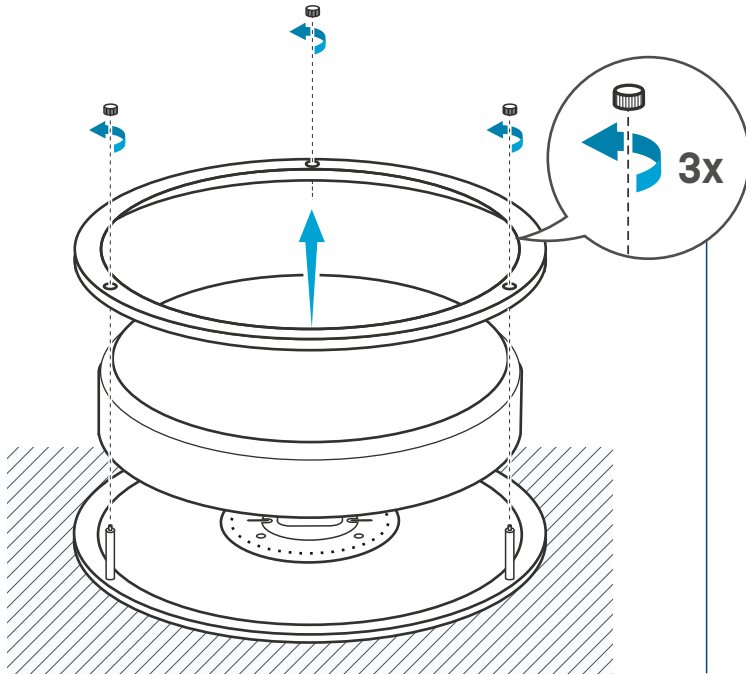
This product will work with most types of 'LED Rated' dimmers. Dimming performance may vary depending on the type of dimmer. You can find the list of recommended dimmers on [www.bakersmithled.com](http://www.bakersmithled.com).

### 5 Year limited warranty

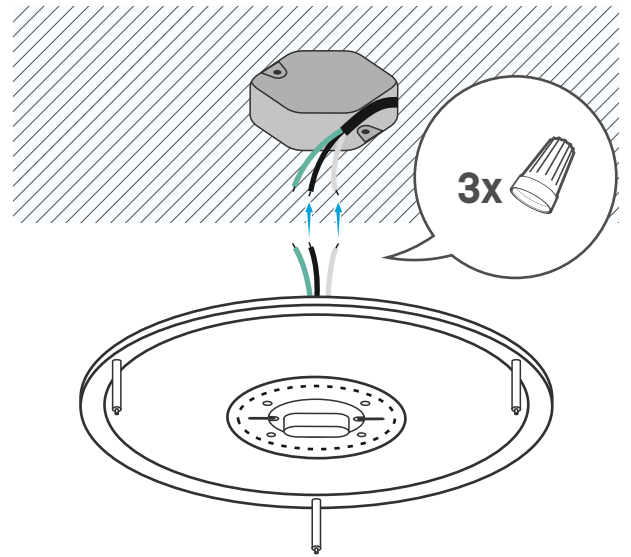
At Bakersmith LED, we pride ourselves on exceptional quality. For this reason, we offer a 5 year warranty on all our products from the date of purchase. Defective products should be returned to Bakersmith LED. Please contact Customer Service at [cs@bakersmithled.com](mailto:cs@bakersmithled.com) to receive return authorization and instructions.

## SAFETY AND INSTALLATION INSTRUCTIONS

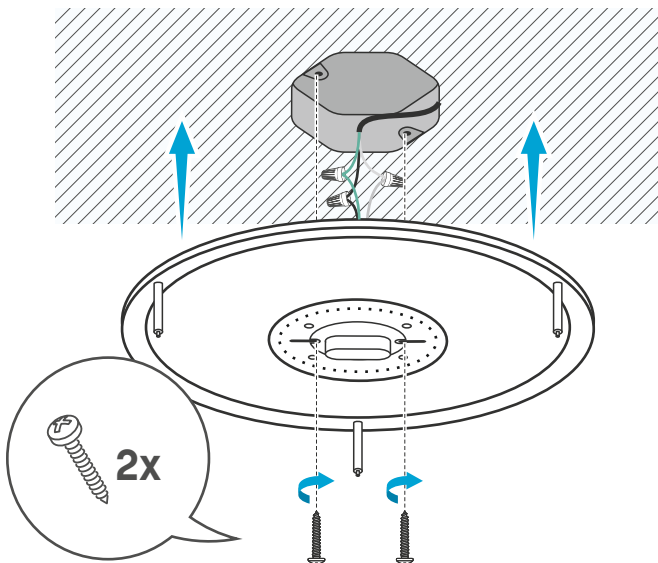
## TRADITIONAL FLUSH MOUNT ROUND CEILING LIGHT (14")



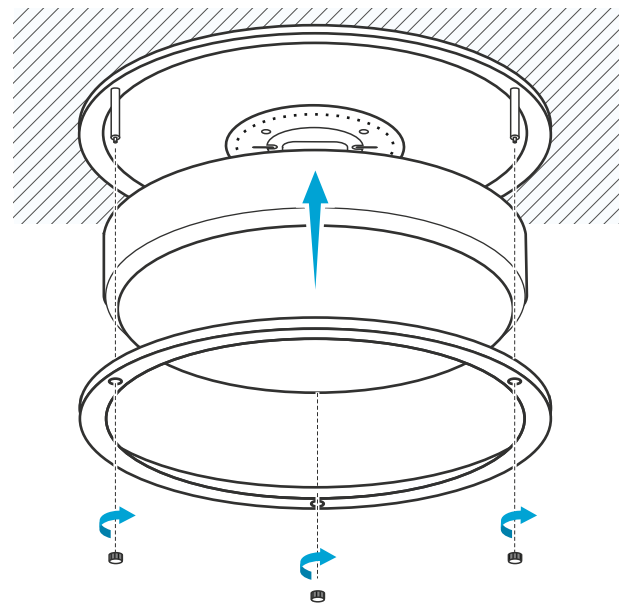
**STEP 1:** Turn off the power at circuit breaker. Unscrew three decorative nuts situated on metal ring. Remove metal ring and plastic lens.



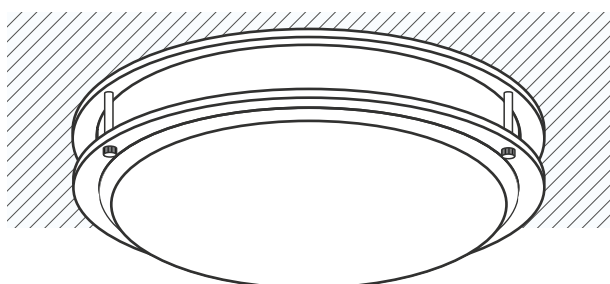
**STEP 2:** Connect the fixture with cables from junction box using 3 wire nuts (provided): black to black wire, white to white wire, and green / yellow to green / yellow wire.



**STEP 3:** Raise fixture up to the junction box and use a screwdriver to attach the fixture using the 2 screws (provided).



**STEP 4:** Place the plastic lens back up into place between the three pins. Align the holes in the metal ring with the three pins and use your hand to screw the decorative nuts up to the metal ring to secure the lens and ring in place.



**STEP 5:** Installation is now complete.