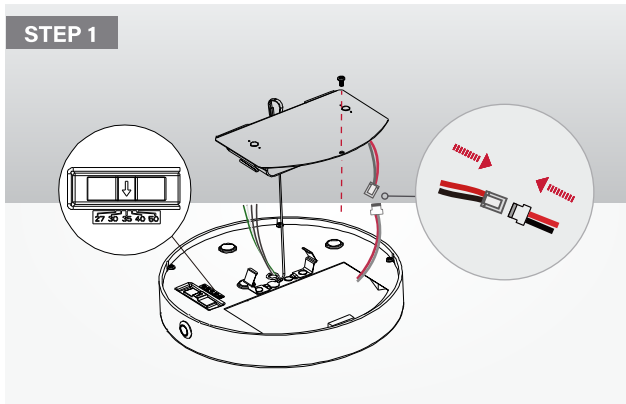
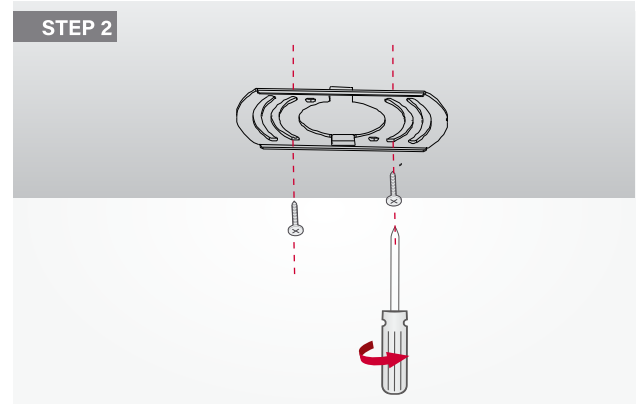


Please carefully Read below Manual before usage.

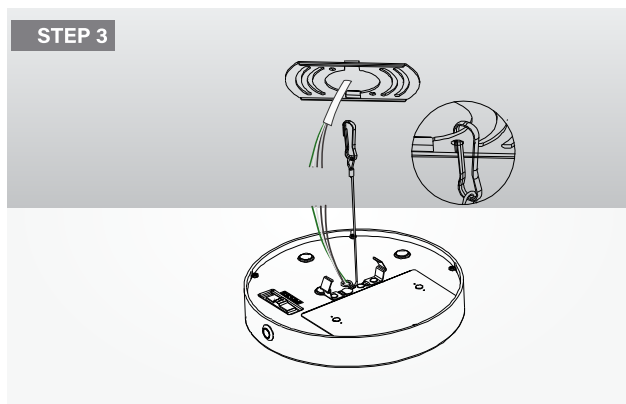
Surface Mounting EMG



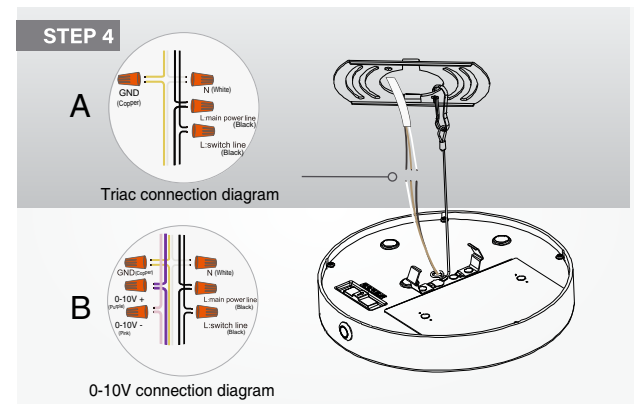
STEP 1: Select the CCT you want.



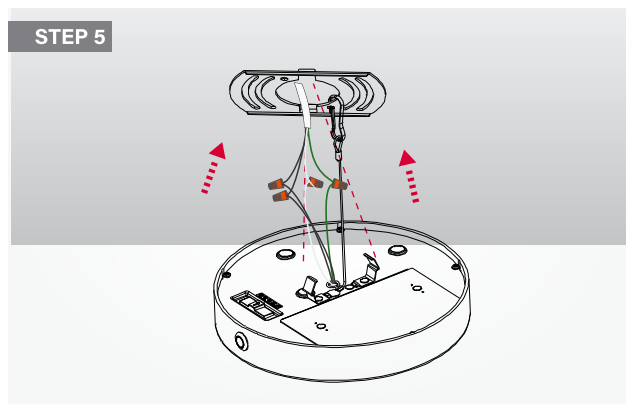
STEP 2: Attach bracket onto junction box with 2pcs# 8/32 screws provided.



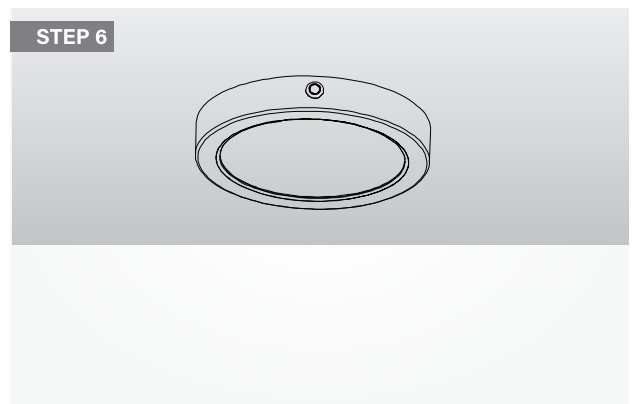
STEP 3: 3. Fix the safety steel wire on the bracket by key ring.



STEP 4: Make wire connections per diagram:
A (Triac connection diagram)
Only connect the dimmer with switch line
B (0-10V connection diagram)



STEP 5: Align the spring side with bracket hole, push the fixture into right location.

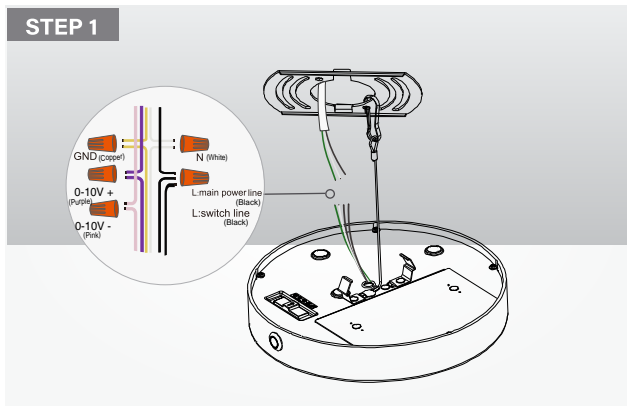


STEP 6: Finish installation. Enjoy your light.

Surface Mounting EMG

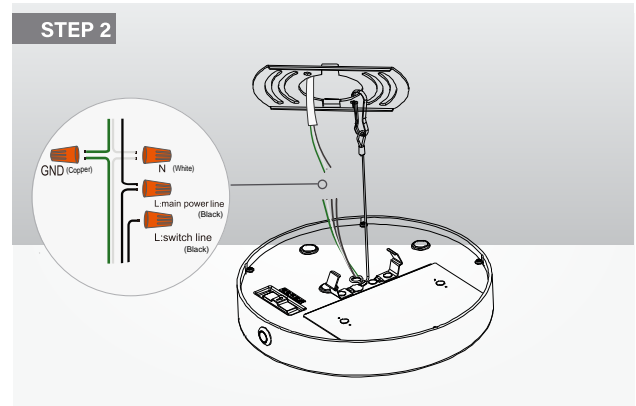
For CONTINUOUS POWER WITHOUT TRIAC DIMMER APPLICATIONS

1. System with 24/7 lighting OR
2. As a dedicated Emergency Light only, (light off in normal condition). Only continuous UNSWITCHED power is needed at the junction box - No need for switched wires.
Turn off / Disconnect power at Circuit breaker. Typical junction box wiring has only white & black switched wires controlled by wall switch for on/off or dimming.



For Option 1:

Above as 24/7 lighting: Connect the two black wires (labeled as "Continuous Line Power" and "Switched Line") from the fixture with the black line wire in the junction box and Connect the white wire ("Neutral") from the fixture with junction box black wires (image above).



For Option 2:

Above as dedicated Emergency Light only: Connect the black wire (labeled as "Continuous Line Power") from the fixture with the black wire in the junction box and Connect the white wire ("Neutral") from fixture with junction box white wires (image above). Screw wire nut over the "Switched Line" and leave unconnected.