

UFO High Bay

INSTRUCTION MANUAL

- Thank you for purchasing our UFO High bay. Please read the below articles carefully to see how to use this product safely.
- Warning contents and attention contents related to product safety use. please be sure to follow it.

⚠ Warning

- This UFO High bay within the input voltage range:120-277VAC,50/60Hz.
- If input voltage exceeds this range, it may cause light failure. Please be sure to operate under correct input voltage.
- Ensure ambient operating temperature of -40F(-40C) through 104°F(40°C).
- Using this UFO High bay in temperatures outside of this range will reduce the UFO High bay lifespan.
- Make sure to turn off power before starting the installation process.

⚠ Attention

- IP rating:IP65,can work under wet locations
- Please keep the UFO High bay away from any corrosive substance. When you clean it, please use damp or dry cloth.

Model Number	QKUFO-100W-X -XX-XXX-XXXXK	QKUFO-150W-X -XX-XXX-XXXXK	QKUFO-200W-X -XX-XXX-XXXXK	QKUFO-240W-X -XX-XXX-XXXXK	QKUFO-320W-X -XX-XXX-XXXXK
Power	100W	150W	200W	240W	320W
Input Cueueent	1.2A	1.5A	1.83A	2.2A	2.5A
CCT	XXXX="XXXX" can be "27K", "35K", "40K", "50K", "57K", "65K" Watts				
Input Voltage	AC277-480V				
Frequency	50/60HZ				
Power(TCP/TP)	50W/75W/100W	75W/110W/150W	100W/150W/200W	120W/180W/240W	160W/240W/320W
Input Current (TCP/TP)	0.46A/0.69A/1.2A	0.69A/1.04A/1.5A	0.92A/1.37A/1.83A	1.1A/1.65A/2.2A	2.08A/1.88A/2.5A
CCT(TCP/TC)	35K-40K-50K				

X stands for blank (non-dimming + no dial power, color temperature) B (Dimming + no dial power, color temperature)C(Dimming + dial power, color temperature)F(non-dimming + dial power, color temperature) Z(other dimming)

XX stands for blank(no sensor)MS(microwave sensor)

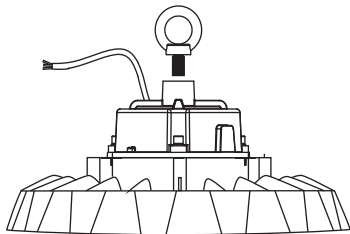
XXX stands forAngle 060 090 110

XXXXk stands for CCT3CCT(2700K 3000K 3500K 4000K 5000K 5700K 6500K)

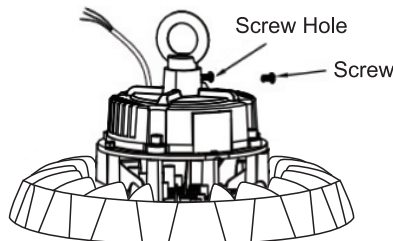
Installation Instruction

1.Rings type:

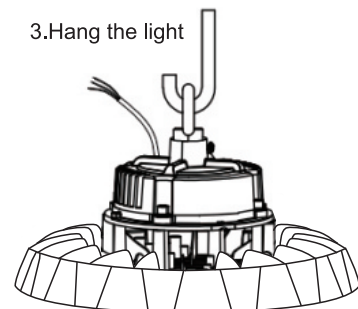
1.Tighten the ring clockwise



2.Tighten the screw

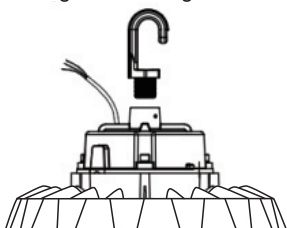


3.Hang the light

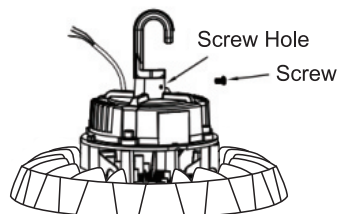


2.Hook type:

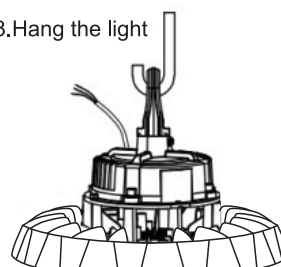
1.Tighten the ring clockwise



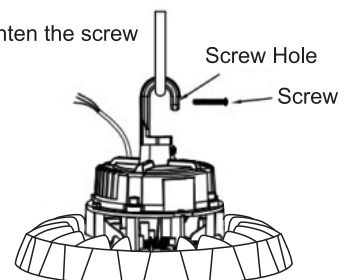
2.Tighten the screw



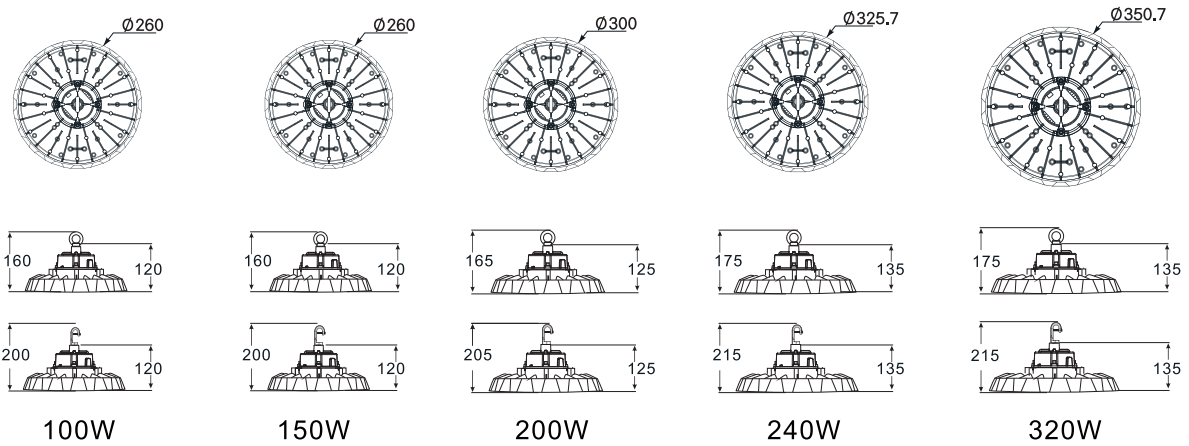
3.Hang the light



4.Tighten the screw



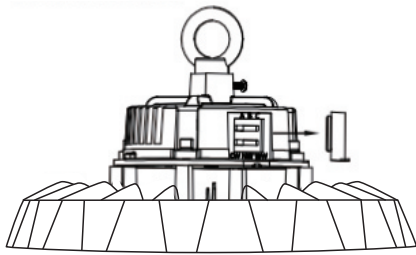
Product Dimension



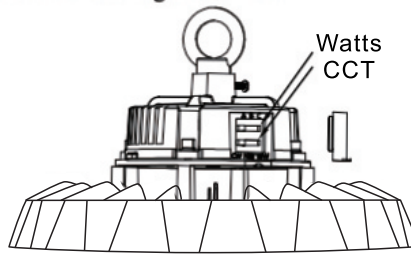
CCT and Watts selected Operation Manual:

A/B/C(Minimum/Middle/Maximum wattage), WW/NW/CW(CCT:35K/40K/50K)

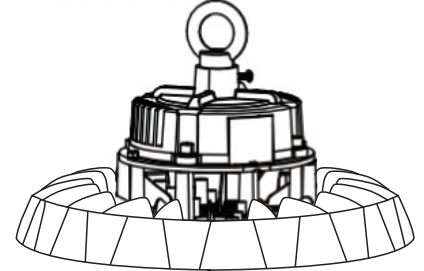
1.Remove the rubber pad from the driver



2.Use the slide switch to select wattage and CCT

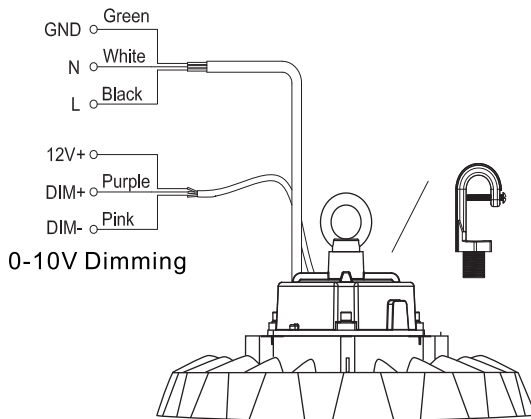


3.Attach the rubber pad to the driver



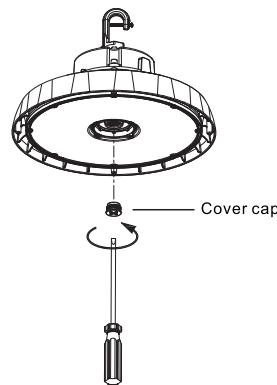
Wiring Connection

Turn off the power, connect AC wire black wire to L, white wire to N, and green wire to E. Connect wires as below, Purple wire is DIM+, Pink wire is DIM-, Black/White wire is 12V+

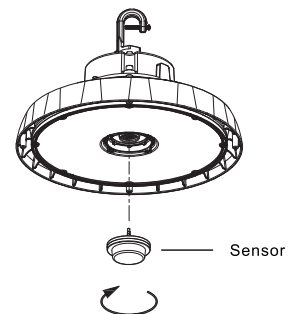


Twist in sensor installation manual

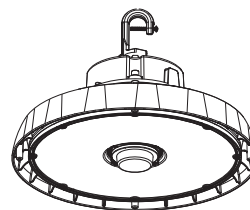
1. Take out cover cap.



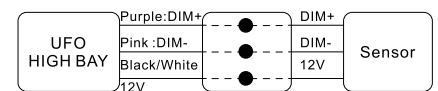
2. Twist in sensor.



3. Finished installation.



Wiring Diagram



Tip: The above content is for reference only, please take the real thing as the criterion.

The Installation must be carried out by a qualified electrician.