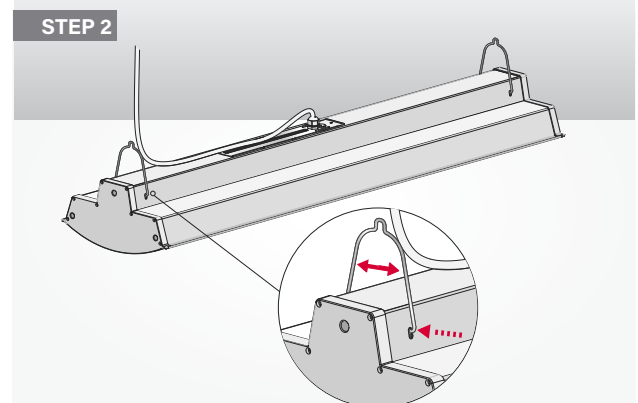
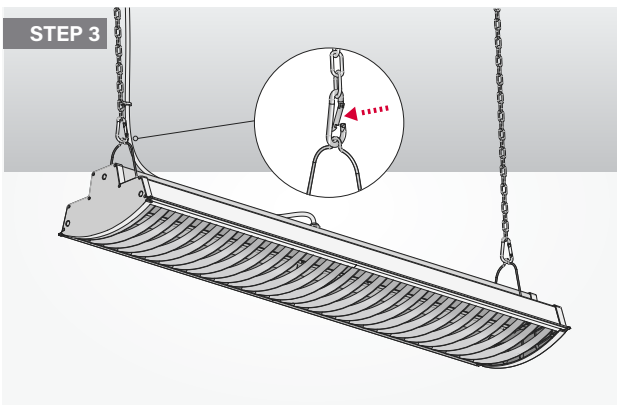


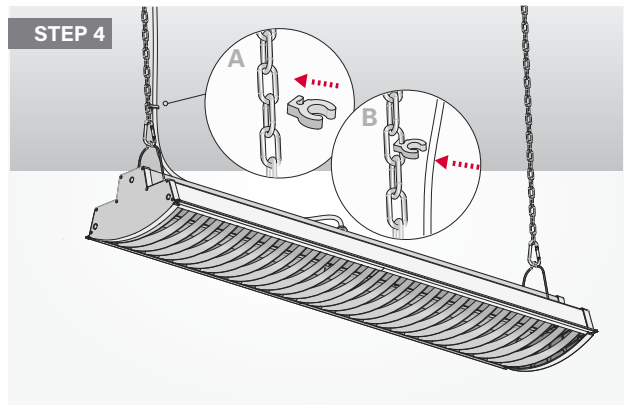
STEP 1: Fix the pendant chain on the ceiling use the 4pcs SLEEVE ANCHOR provided.



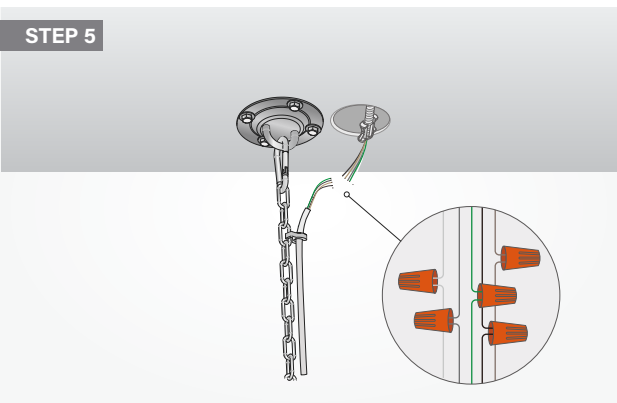
STEP 2: Fix the hook on the lamp.



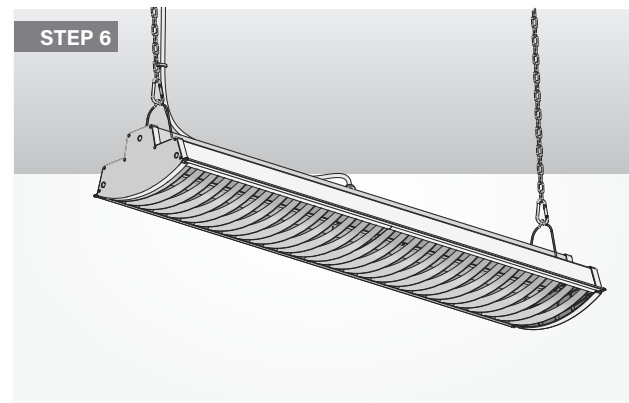
STEP 3: Assemble the pendant chain with hook by key ring on the end of chain.



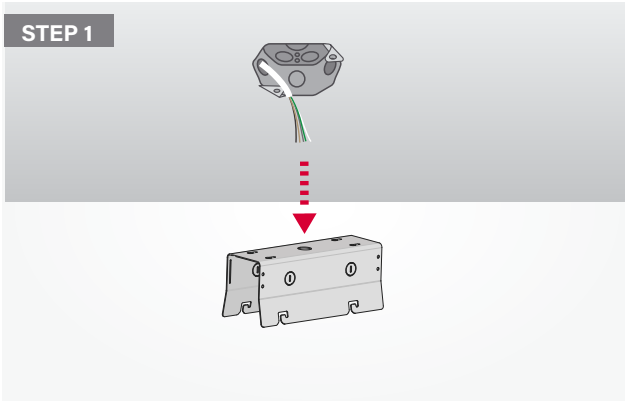
STEP 4: Assemble the cable holder on the chain and put the cable into cable holder.



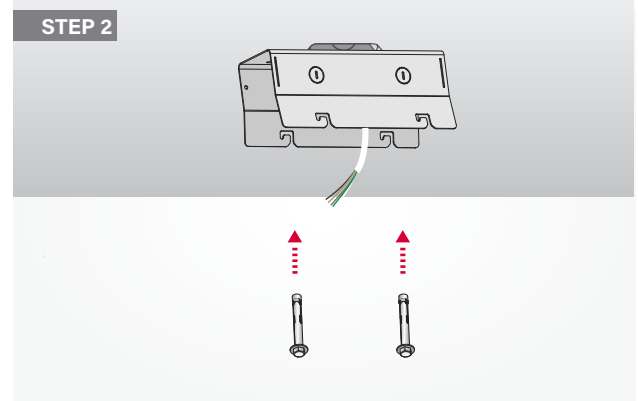
STEP 5: Connect the input cable with the cable .. f.rom ceiling use wire nuts.



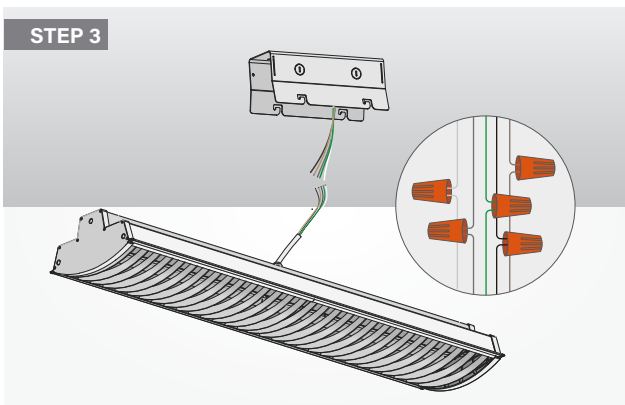
STEP 6: Finished installation, enjoy your lamp.



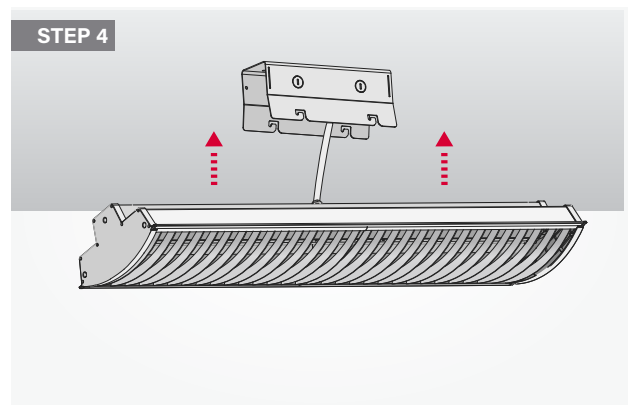
STEP 1: The cable from junction box through the hole of bracket.



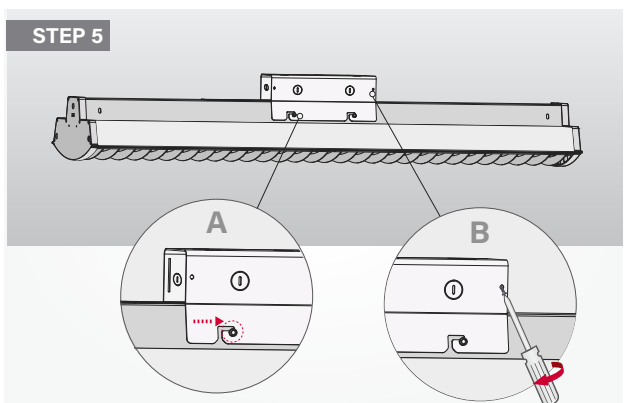
STEP 2: Fix the ceiling bracket on the ceiling use 2pcs SLEEVE ANCHOR provided.



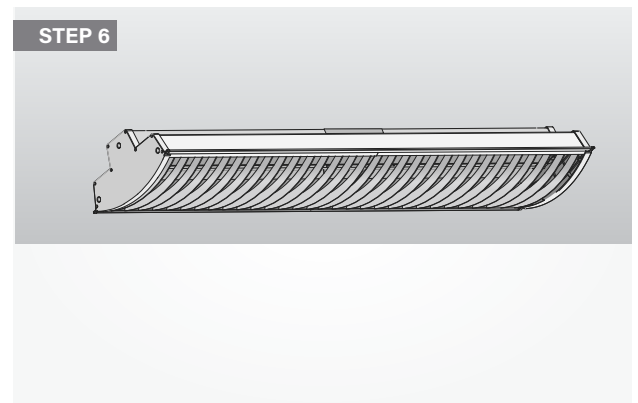
STEP 3: Connect the input cable with the cable from ceiling use wire nuts.



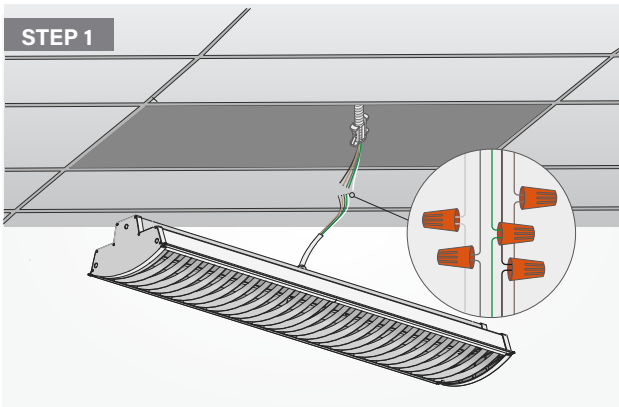
STEP 4: Align the screws on the side of lamp with the bracket groove hole, put the screw into hole and slide to the steady location, fix the side cover use 4pcs screws provide.



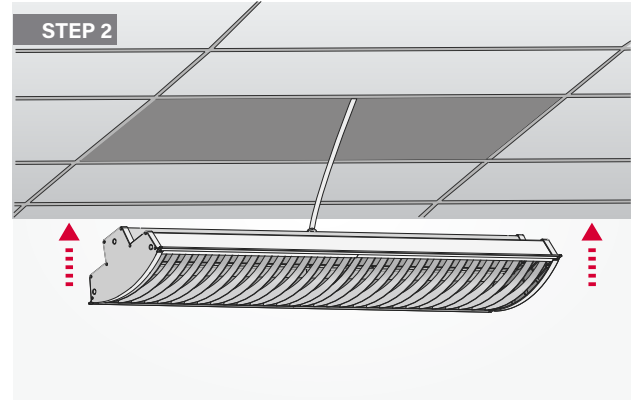
STEP 5: Finished installation, enjoy your lamp..



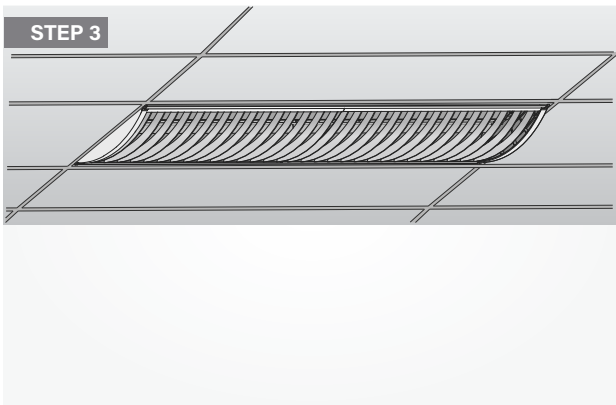
STEP 6: Fixture installed.



STEP 1: Connect the input cable with the cable from grille use wire nuts.



STEP 2: Put the lamp into the recessed grille.



STEP 3: Finished installation, enjoy your lamp.