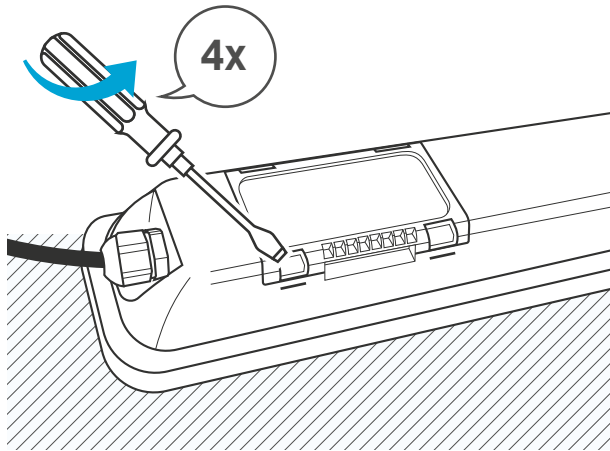
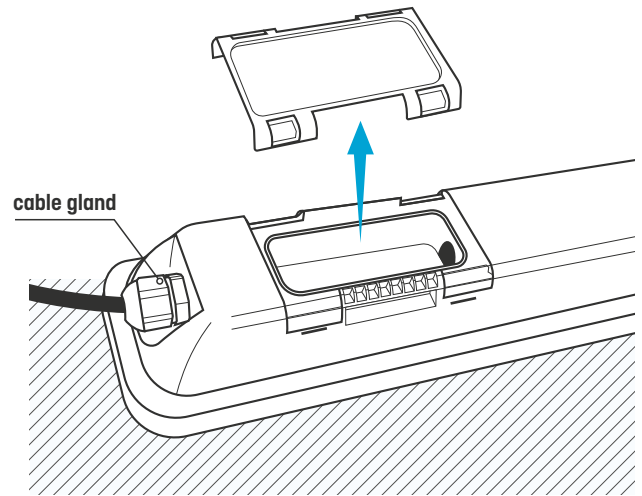


# Installation Manual

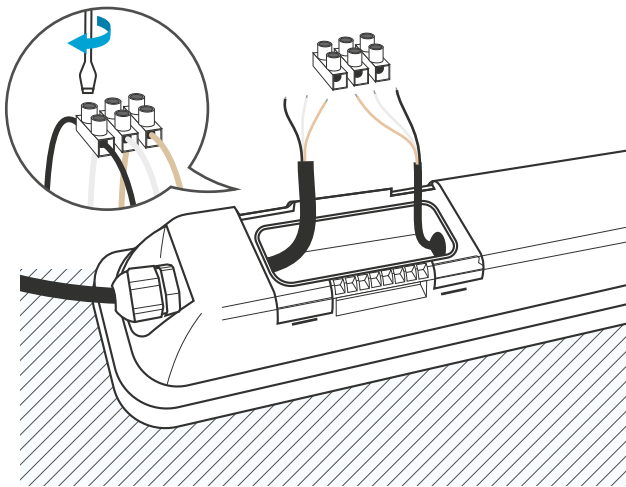
Please carefully Read below Manual before usage.



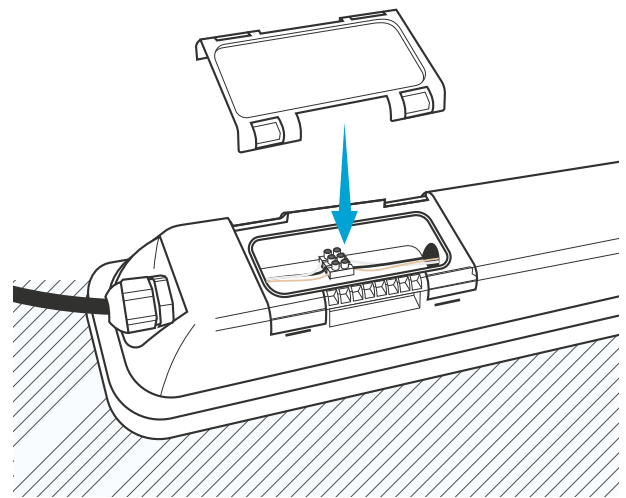
**STEP 1:** Open the cover of junction box located on the back of fixture.



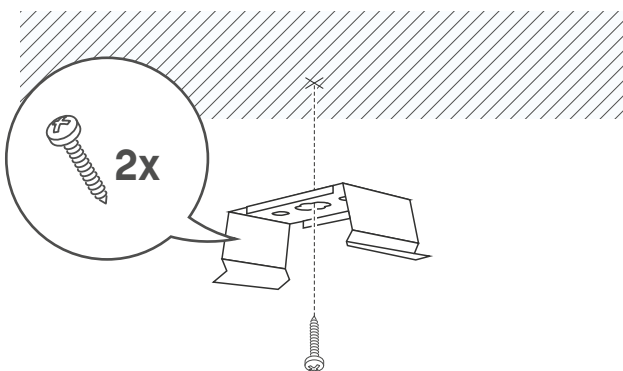
**STEP 2:** Insert a power cord through the waterproof 'cable gland' at the end of the unit.



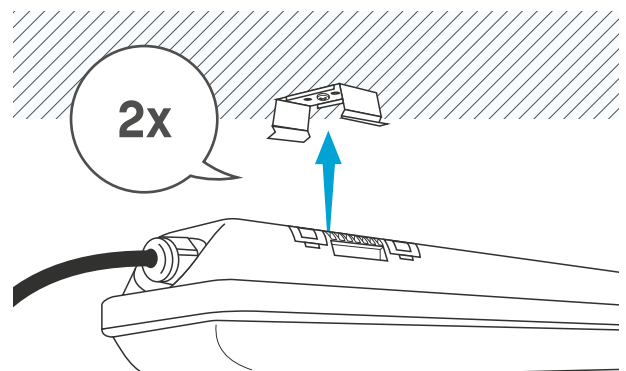
**STEP 3:** Connect the fixture with cables from junction box using the wire block connector inside the unit's junction box: black to black wire, white to white wire and yellow/green to yellow/green wire.



**STEP 4:** Close the cover back onto the fixture junction box to seal securely.



**STEP 5:** Affix the mounting brackets to the ceiling/wall. Tip: Use fixture to mark hole position.

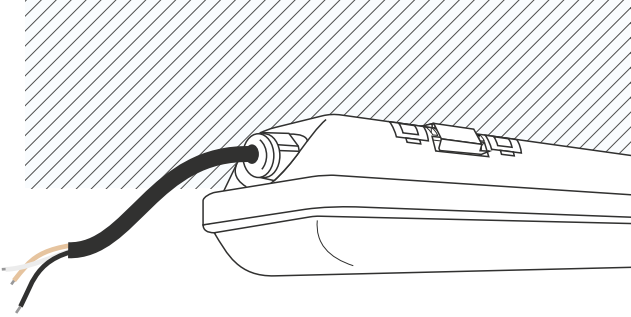


**STEP 6:** Affix the fixture to the ceiling/wall with mounting brackets as shown.

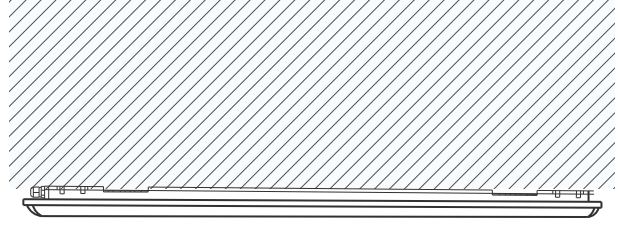
## Installation Manual

Please carefully Read below Manual before usage.

**LUXAR**  
Lighting for Life



**STEP 7:** Connect power cord of the Vapor Proof unit to the nearest junction box with power.



**STEP 8:** Installation is now complete.