

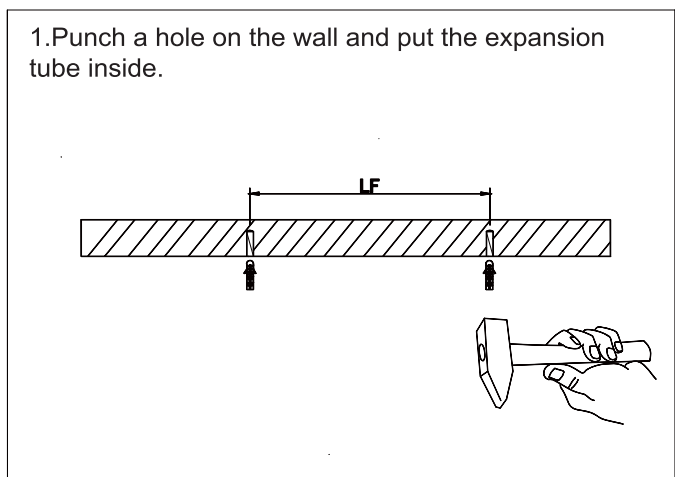
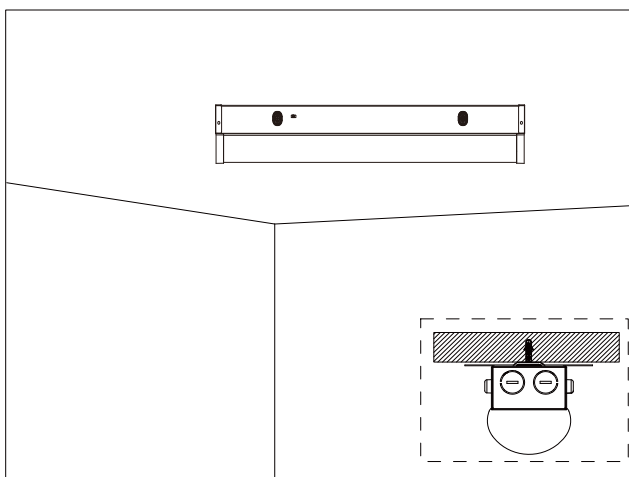


## A.Surface-mounted installation

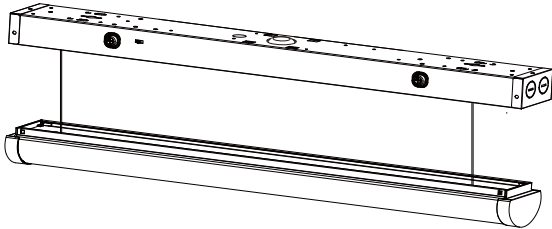
### Parts List

Surface mount kit --4ft (included)	
	<p>Parts:</p> <ul style="list-style-type: none"><li>(1) J-box Adapter</li><li>(2) Anchors</li><li>(4) Screws</li></ul>
Surface mount kit --8ft (included)	
	<p>Parts:</p> <ul style="list-style-type: none"><li>(1) J-box Adapter</li><li>(4) Anchors</li><li>(6) Screws</li></ul>

## Installation instructions

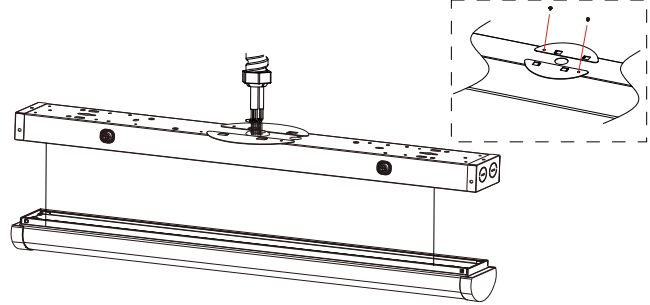


2. Swing open fixture by pushing in/squeezing both buttons located on opposite ends.

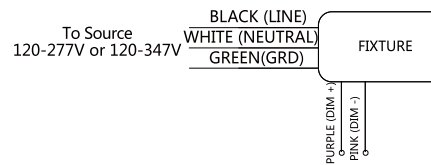
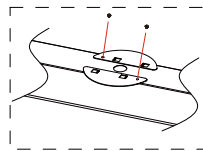
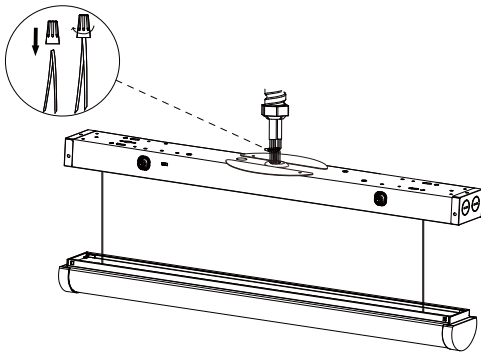


3. Run the fixture's power wires through the center hole of the round J-box adapter. Slide and secure the round J-Box adapter on the center slots located on the back of the fixture.

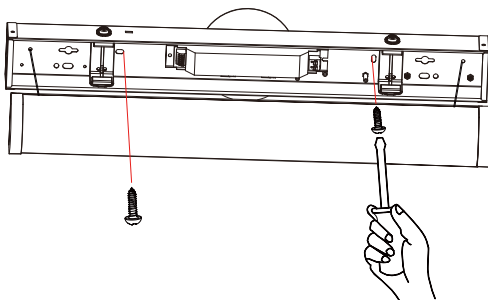
Note: J-Box adapter is used to cover the Junction Box



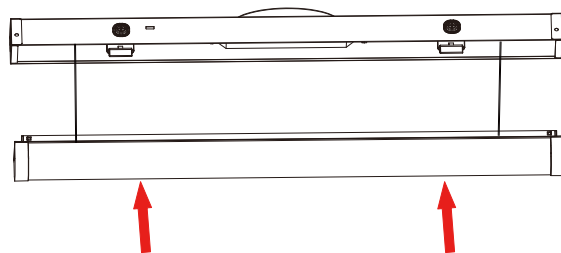
4. Turn off the power and make wiring by using wire nuts according to wiring diagram



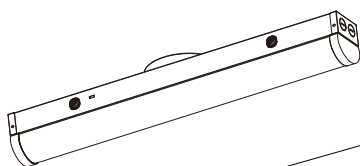
5. Secure the fixture to the wall with the correct mounting hardware



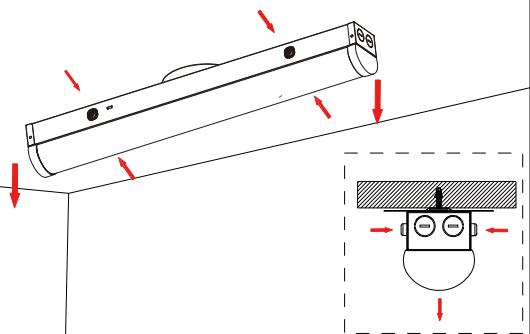
6. Press upward the cover and lock it with springs tightly which located into the fixture.



7. The installation is completed and energize the luminaire to verify operation.







8. Swing open fixture by pushing in/squeezing both buttons located on opposite ends, if need to disassemble the fixture

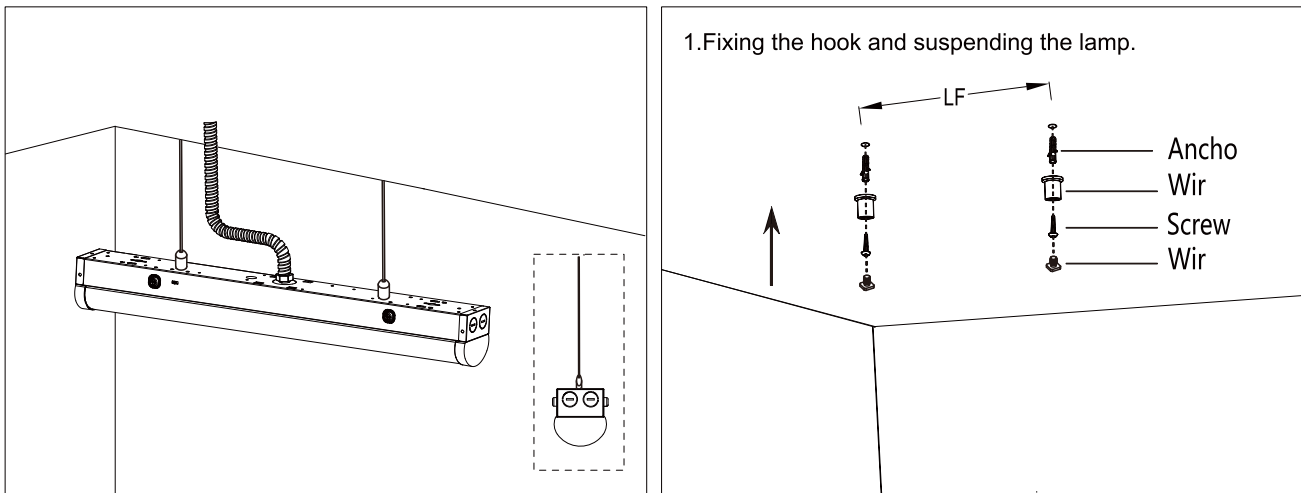


## B. Suspending installation

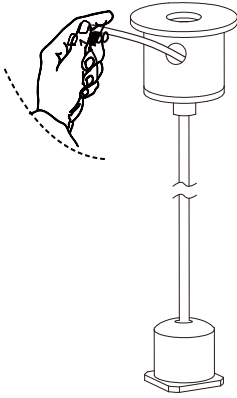
### Parts List

Suspending installation -4FT(included)		
		<p>Parts:</p> <ul style="list-style-type: none"> <li>(2) Safety Rope</li> <li>(2) Anchors</li> <li>(2) Screw</li> </ul>
Suspending installation -8FT (inlcuded)		
		<p>Parts:</p> <ul style="list-style-type: none"> <li>(4) Safety rope</li> <li>(4) Anchors</li> <li>(4) Screw</li> </ul>

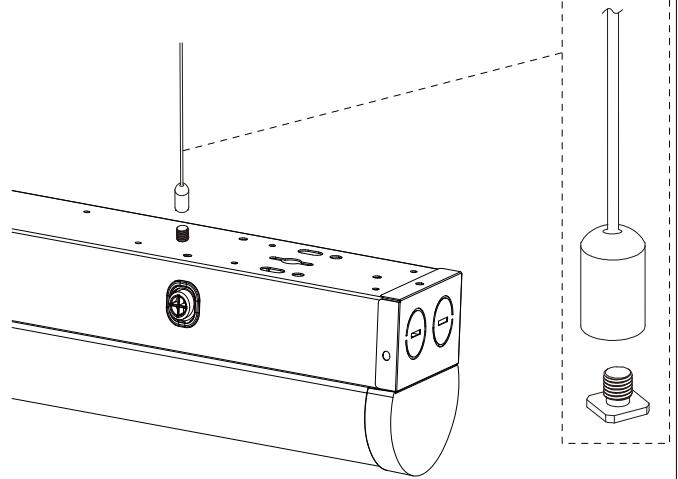
## Installation intructions



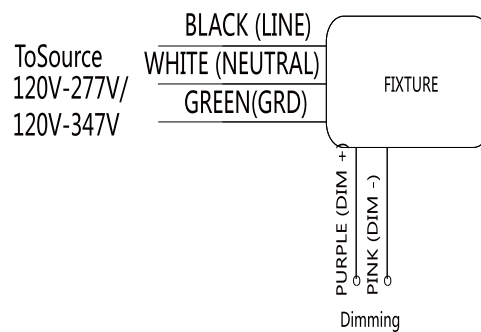
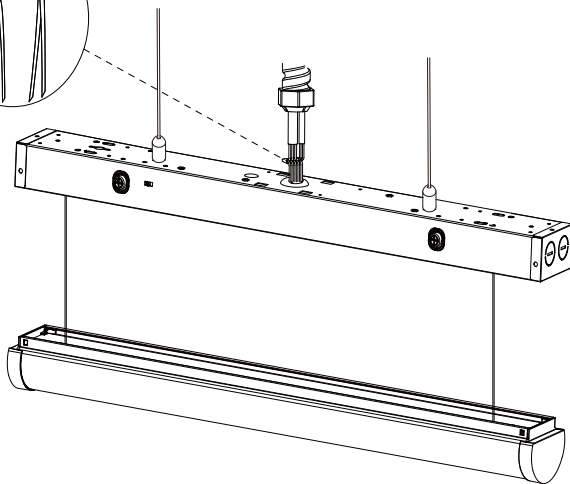
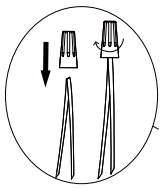
2. Adjusting the hanging rope length.



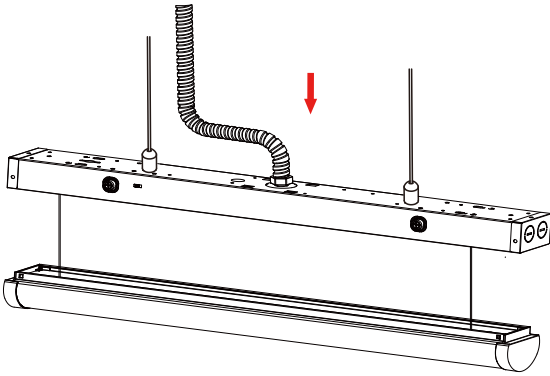
3. Use M5 square screw and M5 fixed head to fix LED strip light.



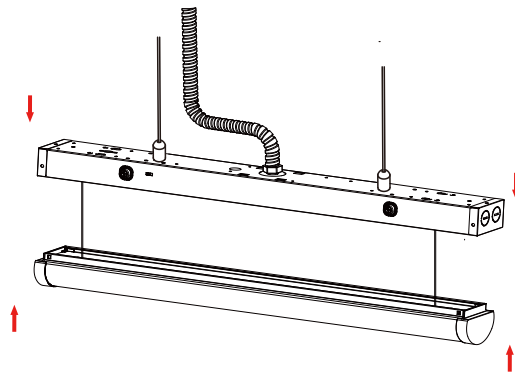
4. Turn off the power and wiring by using wire nuts.



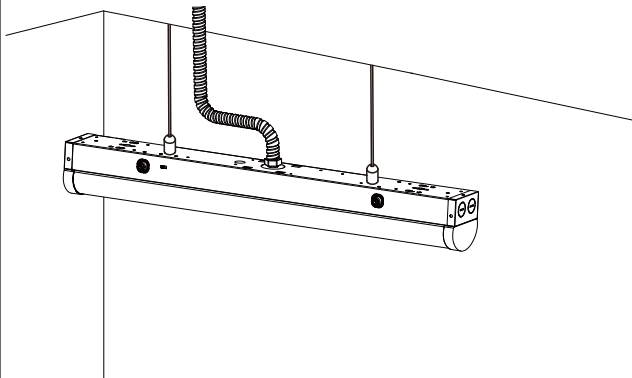
5. Insert the terminal block and wires into the lamp housing.



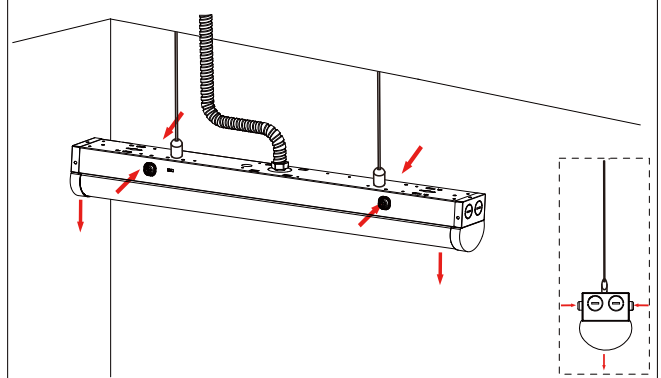
6. Press upward the cover and lock it.



7. The installation is completed and energize the luminaire to verify operation.



8. Swing open fixture by pushing in/squeezing both buttons located on opposite ends, if need to disassemble the fixture



## C. Continuous Row Mounting

### 4G LED Strip Light Linkable QTY



Size	Watts	120V		277V		Suggested Linkable QTY
		Current	QTY	Current	QTY	
4FT	30/40/50W	0.46	10	0.2	24	≤10 PCS
8FT	50/60/70W	0.65	7	0.28	17	< 8 PCS

### 4G LED Strip Light Linkable QTY

Size	Watts	120V		347V		Suggested Linkable QTY
		Current	QTY	Current	QTY	
4FT	30/40/50W	0.46	10	0.16	30	≤10 PCS
8FT	50/60/70W	0.65	7	0.23	21	<8 PCS

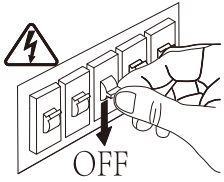
# 1.Surface-mounting continuous row mounting(daisy connection)

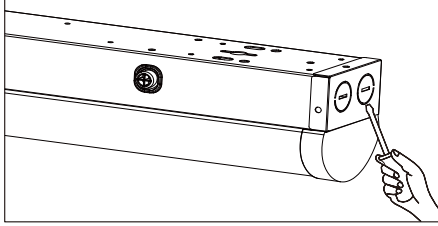
## Parts List

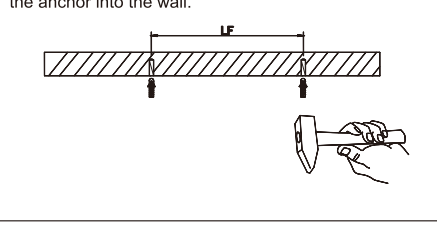
Continuous Row Mounting-4FT(included)	
	<p>Parts:            (1) Connection Bracket            (1) Harness set            (5) Wire Nuts            (2) Anchors            (2) Screws            (2) Self-adhesive Cable Ties</p>
Continuous Row Mounting-8FT(included)	
	<p>Parts:            (1) Connection Bracket            (1) Harness set            (5) Wire Nuts            (4) Anchors            (4) Screws            (2) Self-adhesive Cable Ties</p>

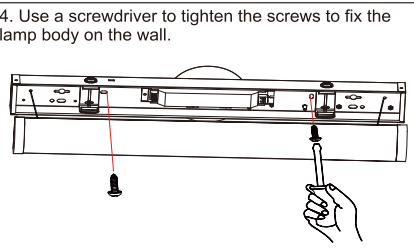
## Installation instructions

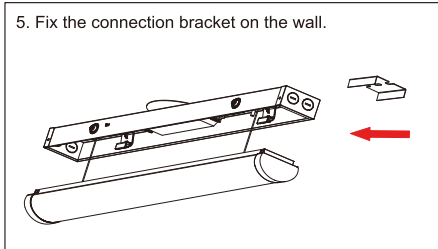
1. Turn off the power.

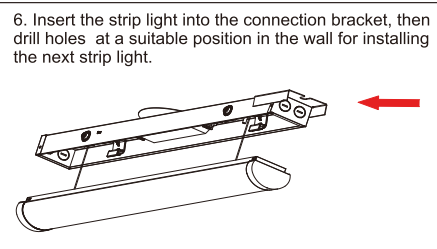

2. Screwed off the knockout hole at the end of lamp body.

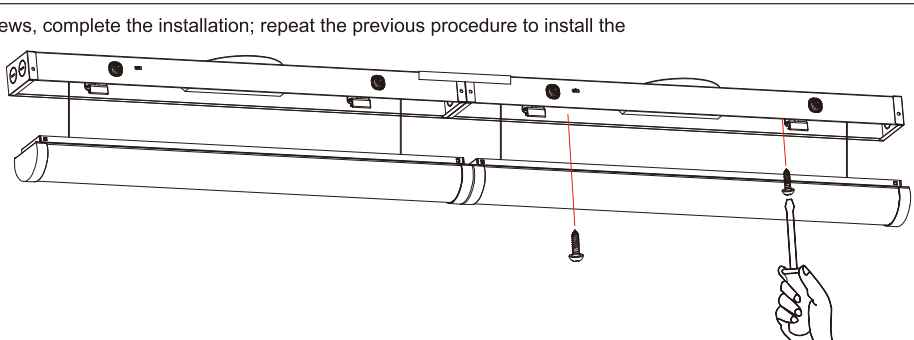

3. Drill holes at a suitable position on the wall and drive the anchor into the wall.


4. Use a screwdriver to tighten the screws to fix the lamp body on the wall.

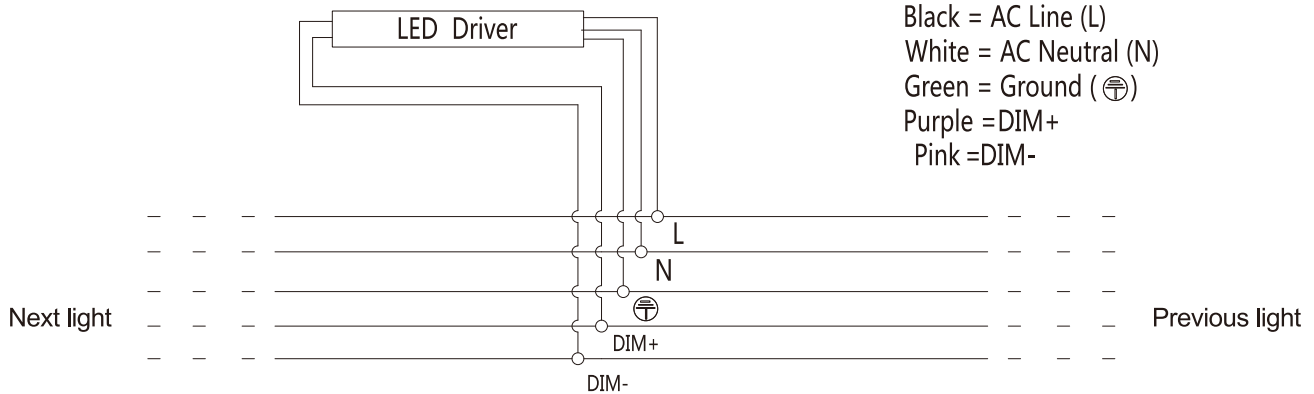

5. Fix the connection bracket on the wall.


6. Insert the strip light into the connection bracket, then drill holes at a suitable position in the wall for installing the next strip light.

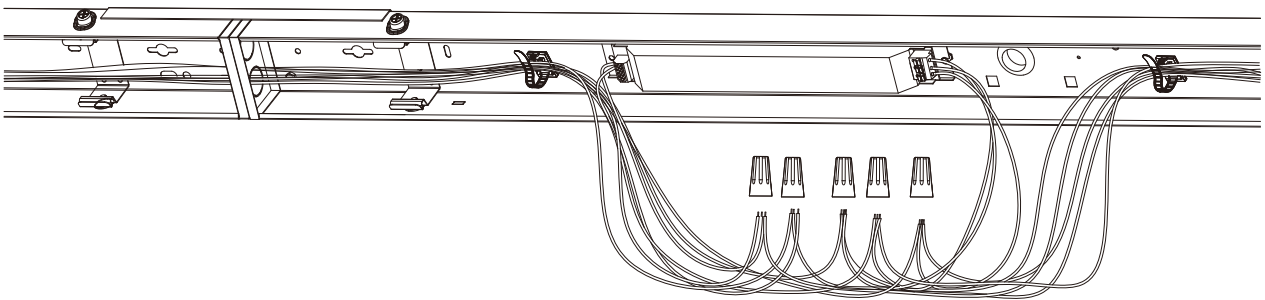

7. Fix the lamp body on the wall by screws, complete the installation; repeat the previous procedure to install the 3rd strip light, 4th strip light etc.



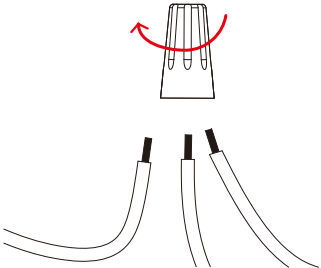
8. Wiring diagram.



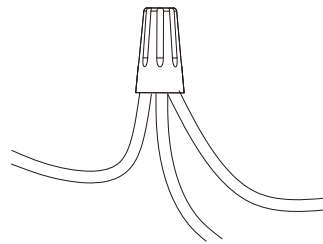
9. Take the black/white/green wire harness and connect to the existing wire connectors on the input wires of the driver respectively. When using the dimming function, take the purple and pink wire harness and make connection to driver. Please make wiring connection using the wiring diagram in Step 8.



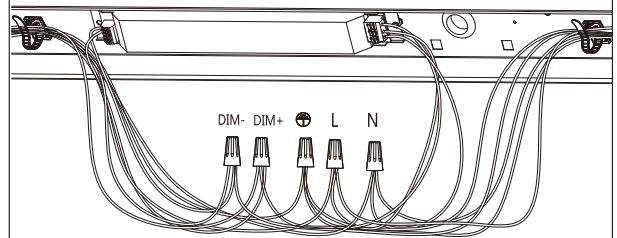
10. The same type of electronic wires are inserted into the same wire nut and combined into a parallel circuit.



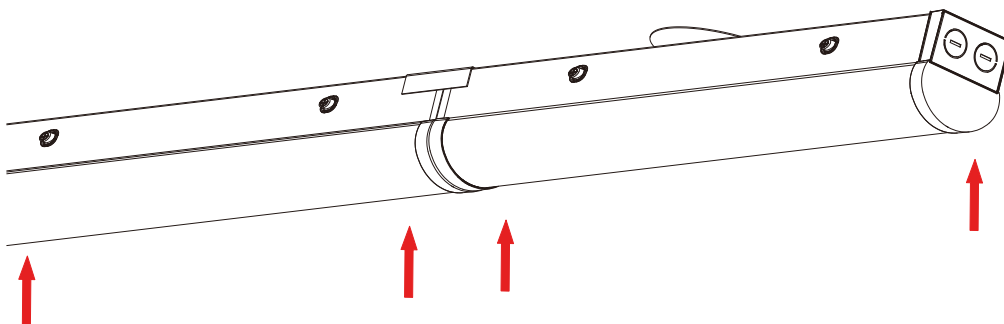
11. Tighten the wires in the wire nut as the photo shows below.



12. Once wiring is completed, take wire harness and run it through the knockouts of the connecting fixture. Use self-adhesive cable ties to eliminate any cable tangles and clutter.



13. Secure the LED Cover to the housing by pressing upward and lock it into the fixture. Energize the luminaire to verify operation.



## 2. Suspending continuous row mounting(daisy connection)

### Parts List

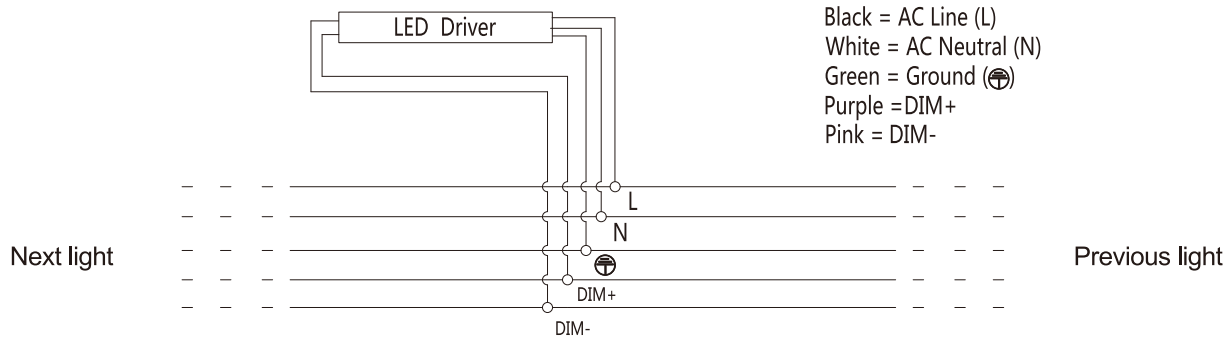
Continuous Row Mounting-4FT(included)	
	<b>Parts:</b> (1) Connection Bracket (1) Harness set (5) Wire Nuts (2) Anchors (10) Screws (2) Self-adhesive Cable Ties (2) Safety Rope
Continuous Row Mounting-8FT(included)	
	<b>Parts:</b> (1) Connection Bracket (1) Harness set (5) Wire Nuts (2) Anchors (12) Screws (4) Self-adhesive Cable Ties (2) Safety Rope

### Installation instructions

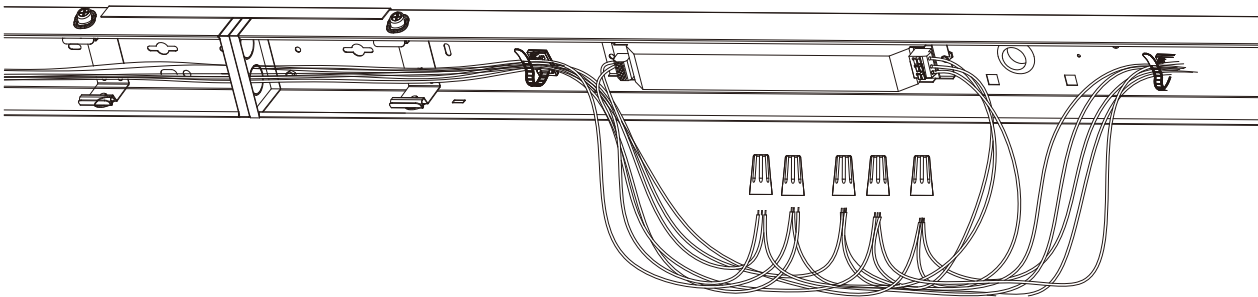
1. Turn off the power.
2. Screwed off the knockout hole at the end of lamp body.
3. Fix the connection bracket at the end of one lamp with screw.
4. As shown, the drawing of connecting finished.
5. drill holes on the wall as well as lock the accessories orderly (as shown).
6. Adjust the length of safety rope rope after locked.
7. Lift up the light, fasten the hooks to the lamp.
8. Finished safety rope installation as shown.
9. install all lamps which need suspending as step above.
10. Press the button on both sides of light and remove LED Cover



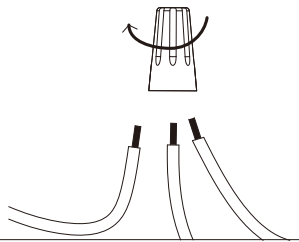
11. Wiring diagram.



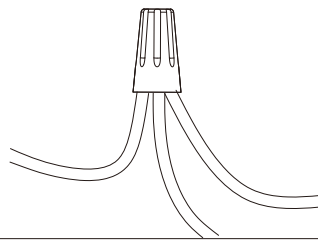
12. Take the black/white/green wire harness and connect to the existing wire connectors on the input wires of the driver respectively. When using the dimming function, take the purple and pink wire harness and make connection to driver. Please make wiring connection using the wiring diagram in Step 11.



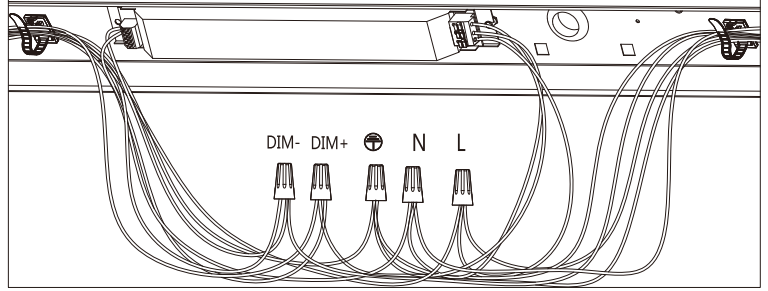
13. Insert the electronic wire into the wire nut.



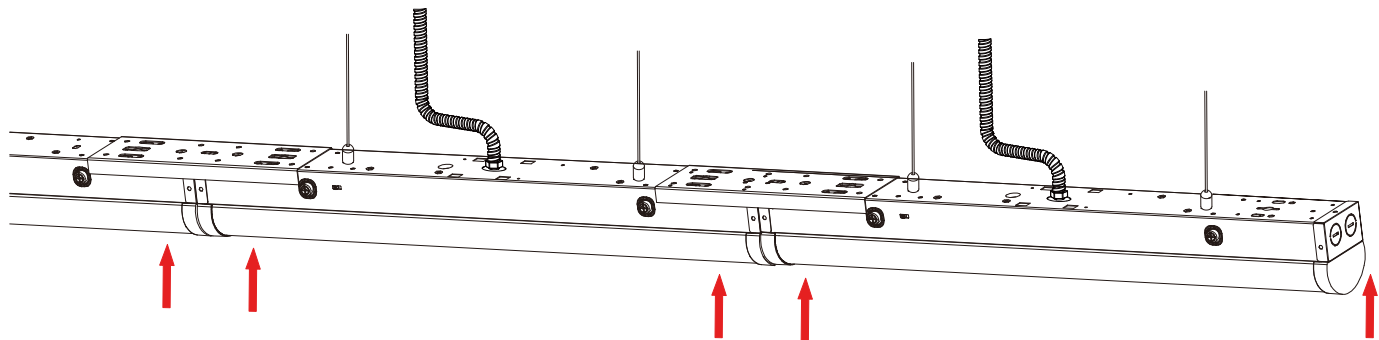
14. The same type of electronic wires are inserted into the same wire nut and combined into a parallel circuit.



15. Once wiring is completed, take wire harness and run it through the knockouts of the connecting fixture. Use self-adhesive cable ties to eliminate any cable tangles and clutter.

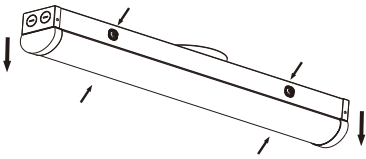


16. Secure the LED Cover to the housing by pressing upward and lock it into the fixture. Energize the luminaire to verify operation.

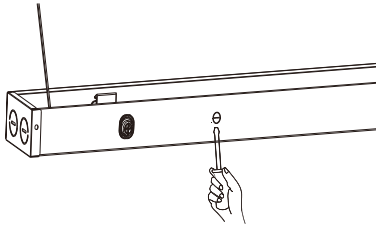


## Installation of Emergency Power Supply

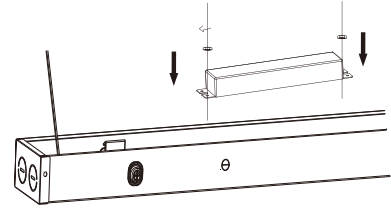
**STEP 1:** Press the Spring buttons and remove fixture cover/diffuser.



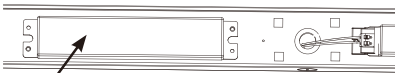
**STEP 2:** Use a flat screwdriver to remove knockouts on the bottom of fixture housing.



**STEP 3:** Align the Emergency power supply with the studs on the bottom housing and secure with supplied nuts.

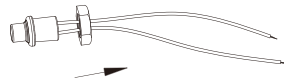


**STEP 4:** Image of the Emergency power supply installed.

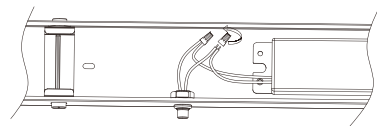
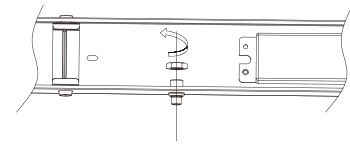


Optional Emergency power supply

**STEP 5:** Remove plastic nut from the Test/Indicator button.



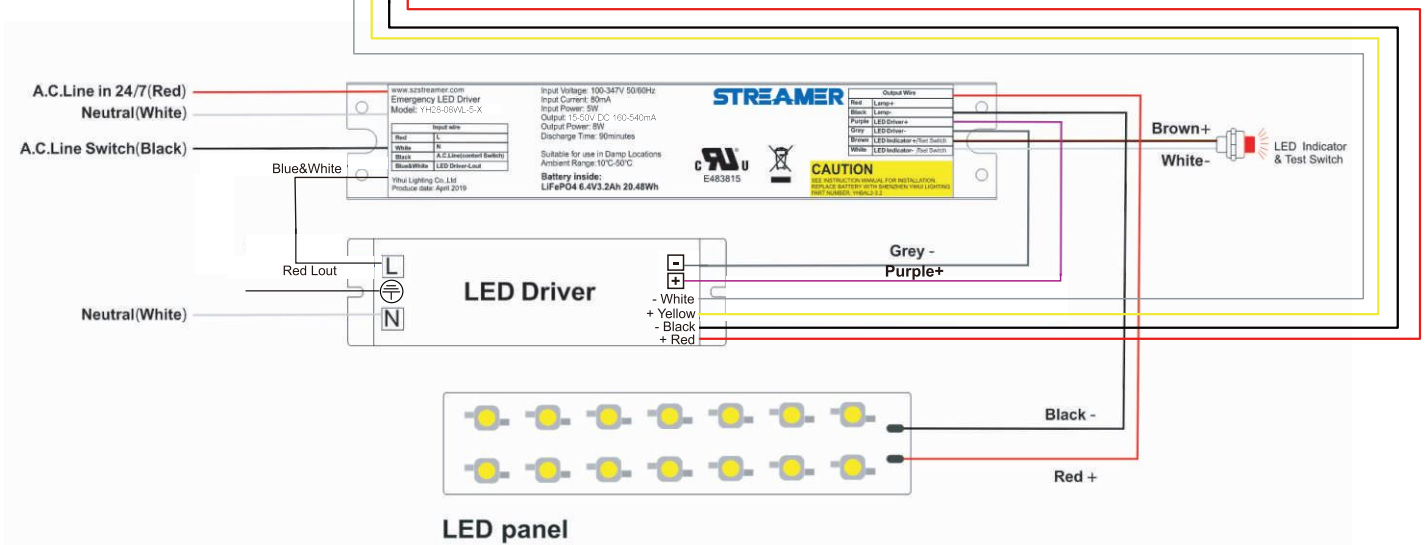
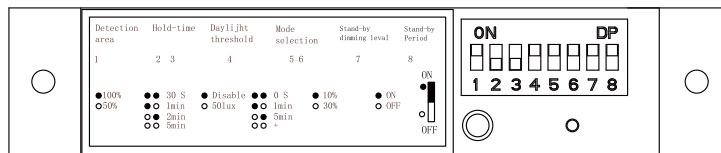
**STEP 6:** Install the Test/Indicator button through the knockout on the side of the fixture housing and secure with plastic nut.



**STEP 7:** Connect wire leads from Test/Indicator button to wire leads from the Emergency power supply.

## Wiring Diagrams

In order to avoid interference between the microwave sensors during operation, the installation distance between the lamps should not be less than one meter.



### **Note**

- 1.The installation and maintenance must be completed by electricians or professionals.
- 2.Please cut off the power before installation and maintenance.
- 3.The thermally insulating material is not allowed to cover the fixture.
- 4.Please keep away from the corrosive substance, and keep the fixture dry and clean.
- 5.Working temperature: -4°F~113°F, storage temperature: -22°F~140°F.


### **Important**

Read this instruction carefully before installation. Keep it for further reference.


Make electrical and grounded connections in accordance with the national electrical code and any applicable code. Always turn off the power supply before installation.

This product must be installed in accordance with the applicable installation code by a qualified electrician who is familiar with the construction and operation of the product and the hazards involved.


#### **WARNING:**

 Risk of fire or electric shock. Fixture installation requires knowledge of luminaires electrical systems. If not qualified, DO NOT attempt installation. Contact a qualified electrician.

 Risk of fire or electric shock. Suitable for wet locations. Always turn off the power supply before installation.

 Risk of fire or electric shock. Suitable for non-insulated surface and frame. DO NOT cover fixture with insulation line r or similar material.

 DO NOT install fixture on unstable, loose or easily breakable surface.

 DO NOT exert force on the surface of the fixture.